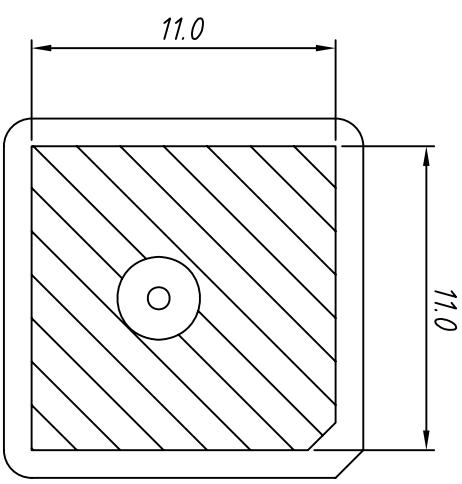


**Specification:**  
 Frequency Range: 1575.42±3MHz  
 Band Width : 5MHz Min.  
 Polarization: RHCP  
 In/Out Impedance: 50Ω  
 Gain: 3dBi (Zenith)  
 V.S.W.R: 1.5 Max.  
 Axial Ratio : 5.0dB Max.  
 Operating Temperature : -40°C ~ +85°C



GENERAL TOLERANCE		ANGLE TOLERANCE		PROJECTION		Description:
X.	±0.60	X.	±5°	UNITS	mm	
.X	±0.38	.X	±3°	SHEET SIZE	A4	GPS Dielectric Antenna
.XX	±0.25	.XX	±2°	KLS P/N:	KLS-C1335-1575	
Draw by: Date		2016-11-11				
Check by: Date		2016-11-11				
SCALE		SHEET				
		OF				

KLS ELECTRONIC CO., LTD.