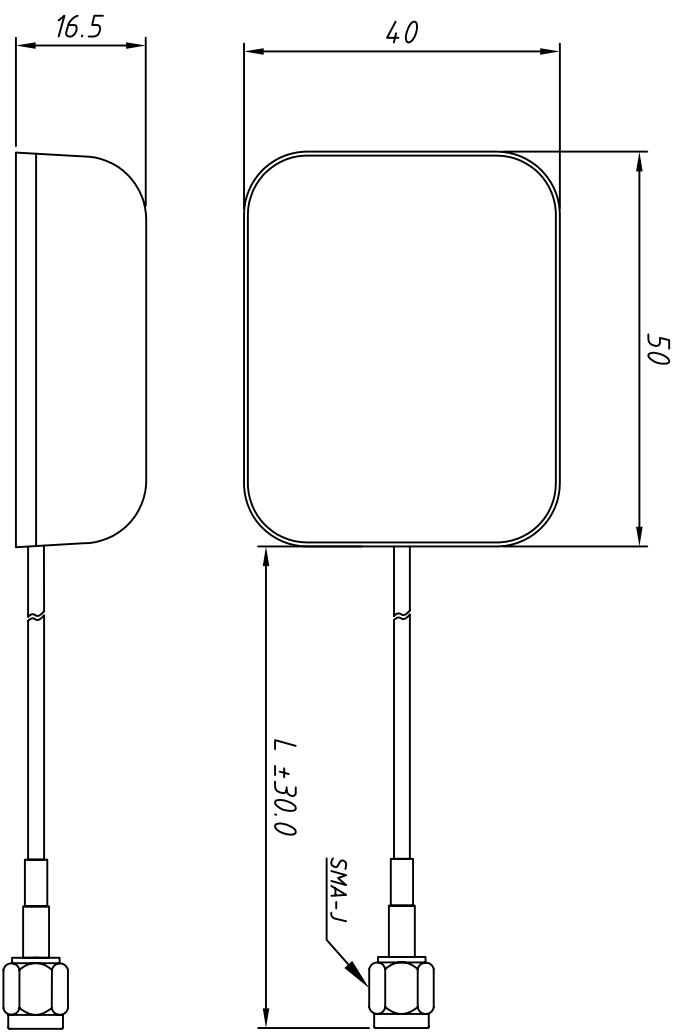
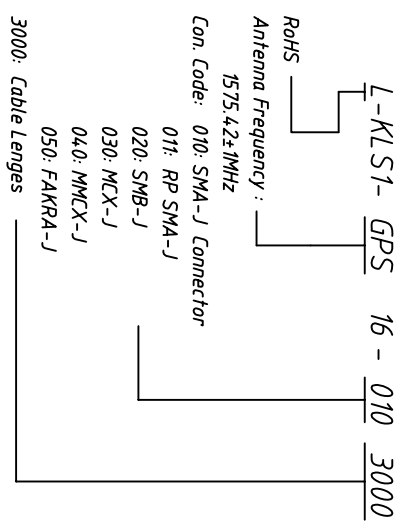


Specification:
Antenna
 Center Frequency: 1561.098 ~ 1575.423 MHz
 Polarization: RHCP
 Gain: 3dBic (Zenith)
 V.S.W.R: <1.5
 Impedance: 50Ω
 Axial Ratio: 3dB (max)
 Dimension: 25x25x6mm

LAN
 Gain: 28±2dB
 Noise Figure: <2
 Filter Insertion Loss: <3dB
 Ex-band Attenuation: 30dB@CF±50MHz/45dB@CF±50MHz
 Supply Voltage: 3~5V DC
 Current Consumption: 10~20mA
 V.S.W.R: <2.0
 Cable: RG174
 Connector: SMA/MCX/FAKRA or others
 Radome Material: ABS
 Mounting Method: Magnet
 Environmental: Operating Temperature: -40°C ~ +85°C



Order Information



GENERAL TOLERANCE		ANGLE TOLERANCE		PROJECTION		Description:	
X.	±0.60	X.	±5°	UNITS	MM		
.X	±0.38	.X	±3°	SHEET SIZE	A4	GPS Active Antenna	
.XX	±0.25	.XX	±2°	KLS P/N:	KLS1-GPS16-XXXXXX		
Draw by: Date		2016-11-11					
Check by: Date		2016-11-11					
SCALE		SHEET		OF			

KLS ELECTRONIC CO., LTD.