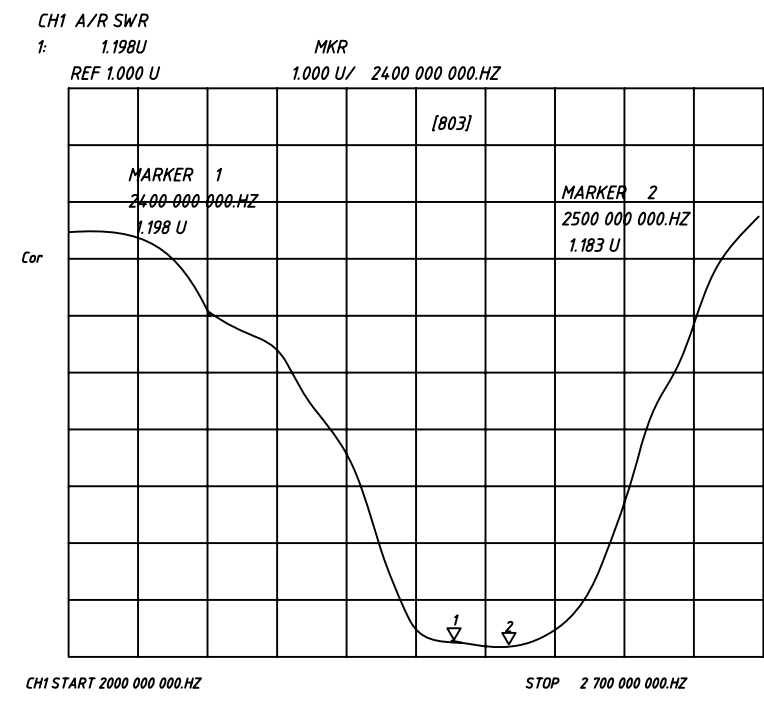
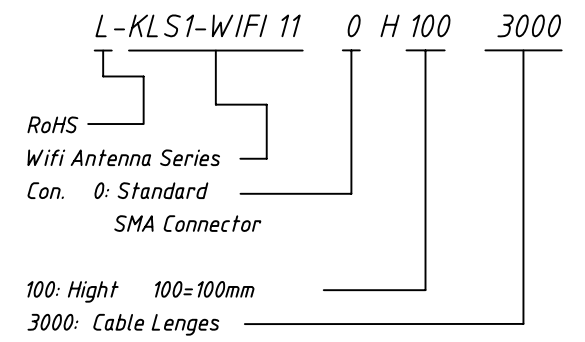


Specification:  
 Frequency : 2400 ~ 2500MHz  
 Gain : 3dBi  
 Vswr : 1.5 Max.  
 Impedance : 50 Ω  
 Polarization : Vertical  
 Radiation : OMNIDIRECTIONAL  
 Max power : 20W  
 Size: Ø29.5xHxLmm  
 Connector : SMA  
 Cable: RG174, Black  
 Length: 3000mm or Other  
 Lightning protection: DC Grounding  
 Operating Temperature : -30°C to +70°C



Order Information



GENERAL TOLERANCE	ANGLE TOLERANCE	PROJECTION	Description:
X. ±0.60	X. ±5°	UNITS	mm
.X ±0.38	.X ±3°	SHEET SIZE	A4
.XX ±0.25	.XX ±2°	KLS P/N:	KLS1-WIFI110Hxxxxxxx

Draw by: Date	2016-11-11
Check by:: Date	2016-11-11
SCALE	SHEET OF

KLS ELECTRONIC CO., LTD.