

Coin Cell Holders

KLS5-CR2430-05 CR2430 Battery button

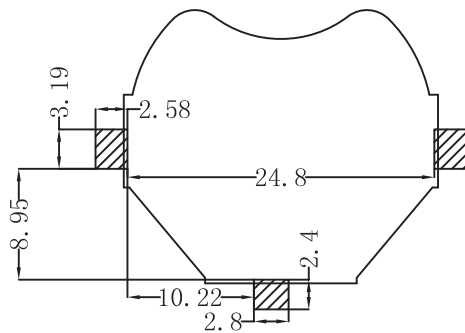
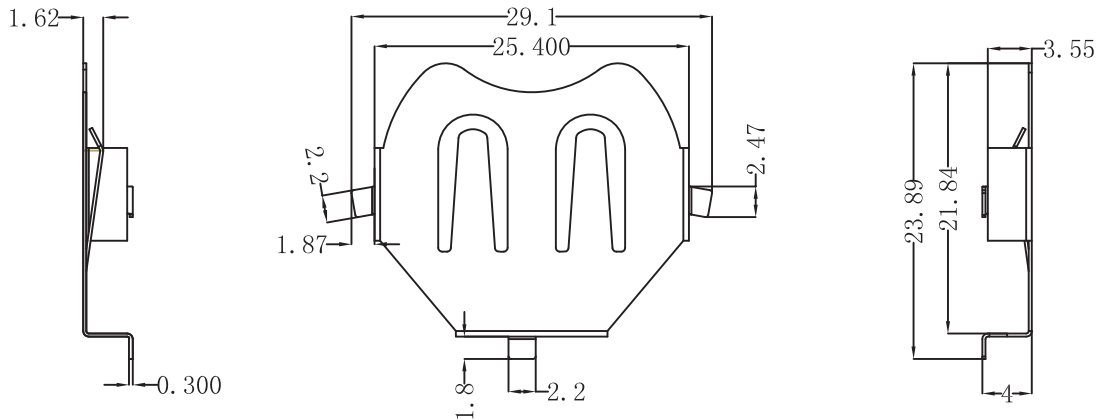
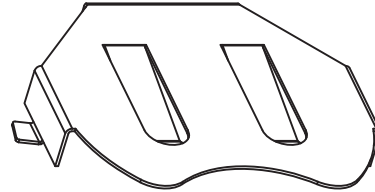


Material:

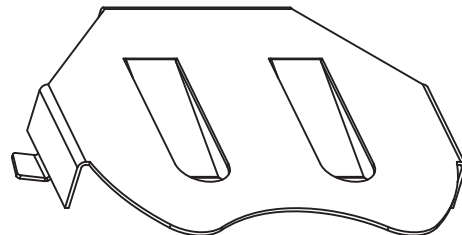
Contacts: Steel; Nickel plated

Package:

R=Tape;P=Blister



PCB Layout Diagram
Top View



ORDER INFORMATION

Product NO.: KLS5-CR2430-05-R

