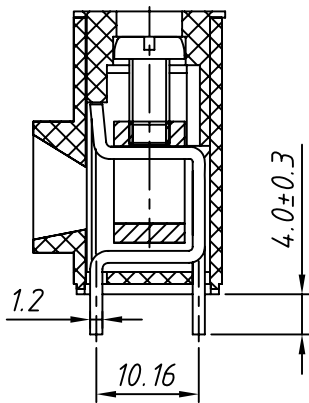
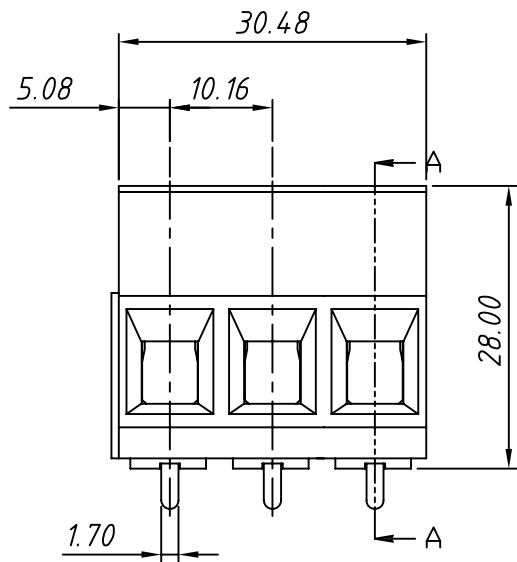


PCB LAYOUT



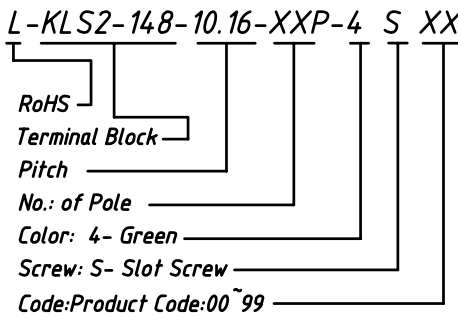
SECTION A-A

Material
 Screw: M4.0, steel, Zn plated
 Cage: Brass, Nickel plated
 Pin header: Brass, Tin plated
 Housing: PA66, UL94V-0, Green

Electrical
 Rated voltage: 300V
 Rated current: 52A
 Wire range: 20~6AWG 10mm²
 Contact Resistance: 20 mΩ
 Insulation resistance: 500MΩ/DC500V
 Withstand voltage: AC2000V / 1 min

Mechanical
 Temp. Range: -40 °C ~ +105 °C
 Soldering: 250 °C 5Sec. Max.
 Torque: 1.2 Nm (10.5 Lb.) in
 Strip length: 9~10 mm

Order Information



GENERAL TOLERANCE	ANGLE TOLERANCE	PROJECTION	Description:
.X ±0.60	.X ±5°	UNITS	Screw CONN TERM BLOCK 10.16MM
.X ±0.38	.X ±3°	SHEET SIZE	
.XX ±0.25	.XX ±2°	KLS P/N:	
Draw by: Date		2015-09-01	
Check by: Date		2015-09-15	
SCALE	SHEET	OF	KLS2-148-10.16-XXP-4S

KLS ELECTRONIC CO., LTD.