

1000 Base-T Magnetics Modules

Electrical Specification:

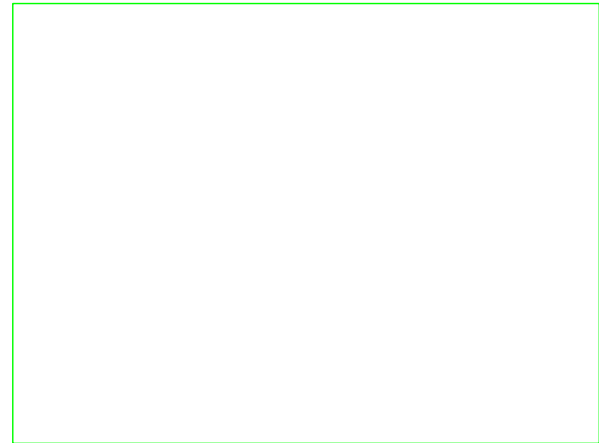
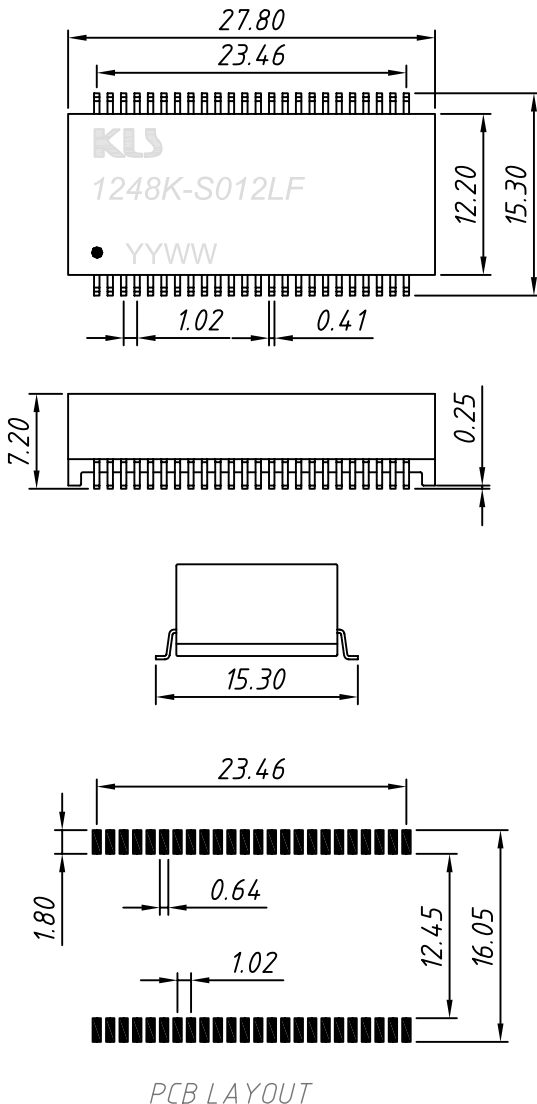
@25°C Operating Temperature 0 to +70°C

| | | |
|--------------------|----------|----------------|
| Part NO : | | 1248K-S012LF |
| Trun Ratio (±3%) : | TX | 1CT:1CT |
| | RX | 1CT:1CT |
| Insertion loss: | 1-100MHz | 1.0dB max. |
| Return loss: | 1-30MHz | -18dB min. |
| | 40MHz | -18dB min. |
| | 50MHz | -16dB min. |
| | 60-80MHz | -12dB min. |
| | 100MHz | -10dB min. |
| DCMR : | 30MHz | -43dB min. |
| | 60MHz | -37dB min. |
| | 100MHz | -33dB min. |
| Crosstalk: | 30MHz | -45dB min . |
| | 60MHz | -40dB min . |
| | 100MHz | -35dB min . |
| Hi-Pot | | 1500 Vrms Min. |

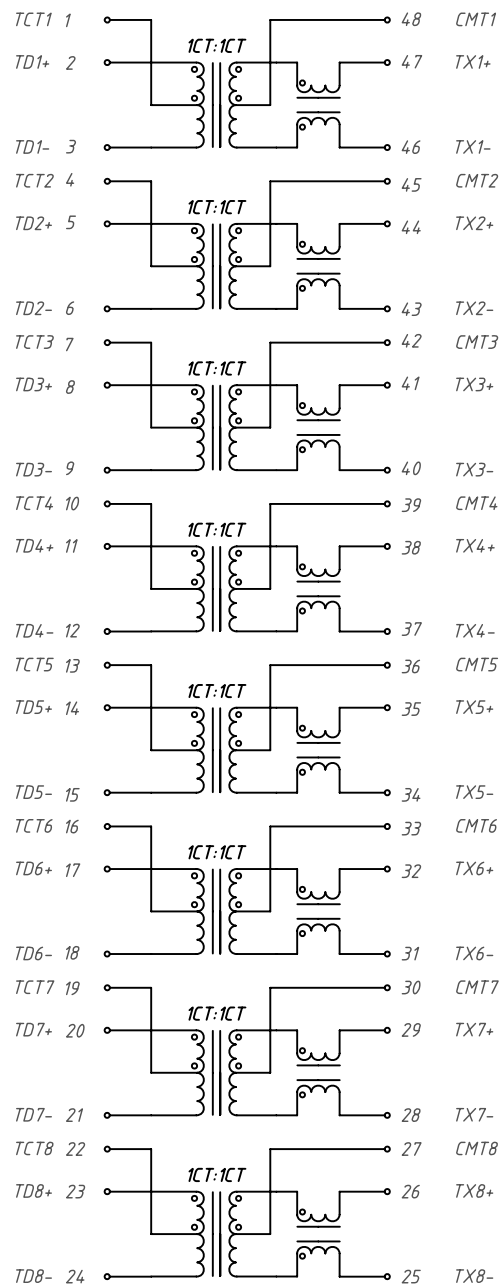
Features:

1. Designed for long haul gigabit ether net (10/100/1000 Base-T) full duplex applications
2. Supports 4 pairs of CAT5 UTP cable
3. Cable interface for isolation and low common mode emissions
4. Compliant with IEEE 802.3ab standard for 1000 Base-T
5. RoHS Compliant

Dimension: unit:mm



Schematic



1248K-S012LF-T
1248K-S012LF-R

Packing: Tube
Packing: Tape&Reel