

10/100/1000 Base-T DUAL Port Transformer Modules

Electrical Specification:

@25°C Operating Temperature -40 to +85°C

Part NO : 1248K-S011LF

OCL primary@ 100KHz,0.1Vrms,18mA : 350uH Min.

Insertion loss: 1-100MHz -1.0dB max.

Return loss: 1-30MHz -16dB min.

40MHz -14.4dB min.

50MHz -13.1dB min.

60-80MHz -12dB min.

100MHz -10dB min.

DCMR : 30MHz -45dB min .

60MHz -40dB min .

100MHz -35dB min .

Crosstalk: 30MHz -43.5dB min .

60MHz -37.5dB min .

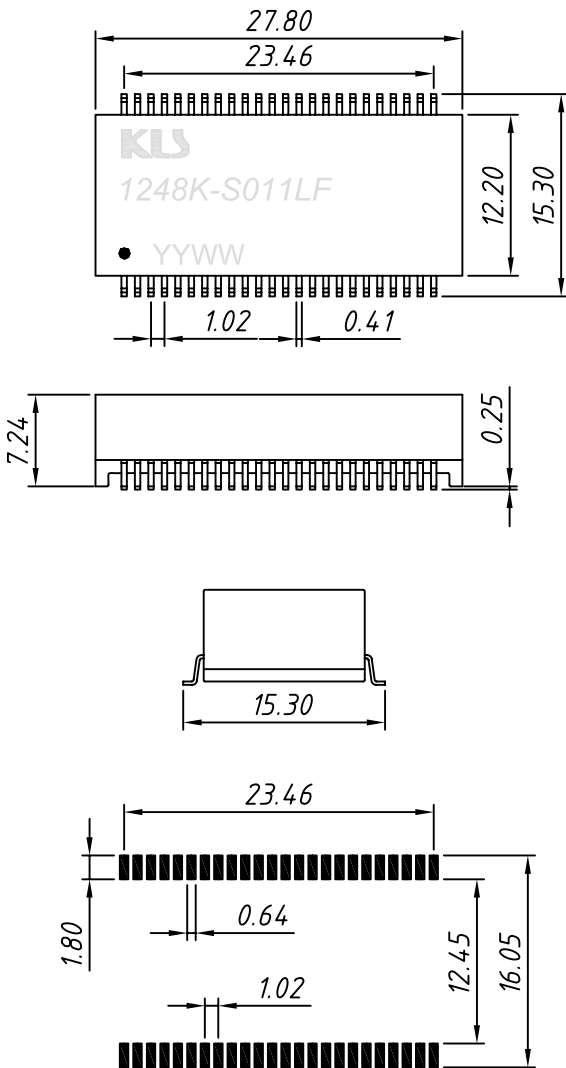
100MHz -30dB min .

Hi-Pot 1500 Vrms Min.

Features:

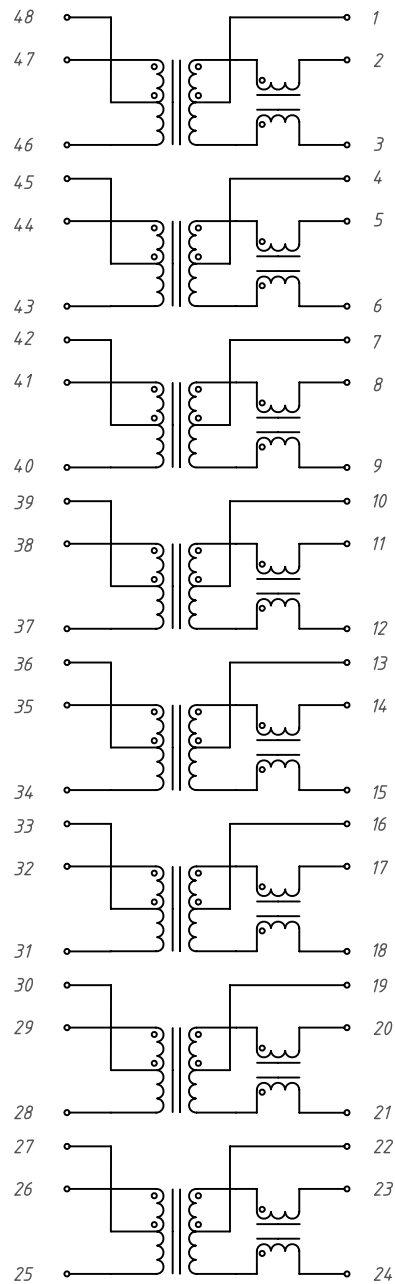
1. Designed to meet IEEE 802.3ab requirements.
2. IEEE 802.3 AT/ANSI X3.263 compliant performance.
3. Peak solder temperature rating per Table 5-2 in IPC/JEDEC J-STD-020C
4. RoHS Compliant

Dimension: unit:mm



PCB LAYOUT

Schematic



1248K-S011LF-T
1248K-S011LF-R

Packing: Tube
Packing: Tape&Reel