

# 10/100/1000 Base-T DUAL Port Transformer Modules

## Electrical Specification:

@25°C Operating Temperature 0 to +70°C

Part NO : 1248K-S010LF

Trun Ratio (±3%) : 1CT:1CT

OCL primary@ 100KHz,0.1Vrms,8mA : 350uH Min

Insertion loss: 1-100MHz -1.0dB max

Return loss: 1-30MHz -18dB min

40-60MHz -13.1dB min

60-80MHz -12dB min

100MHz -10dB min

DCMR : 30MHz -43dB min .

60MHz -37dB min .

100MHz -33dB min .

Crosstalk: 30MHz -35dB min .

60MHz -30dB min .

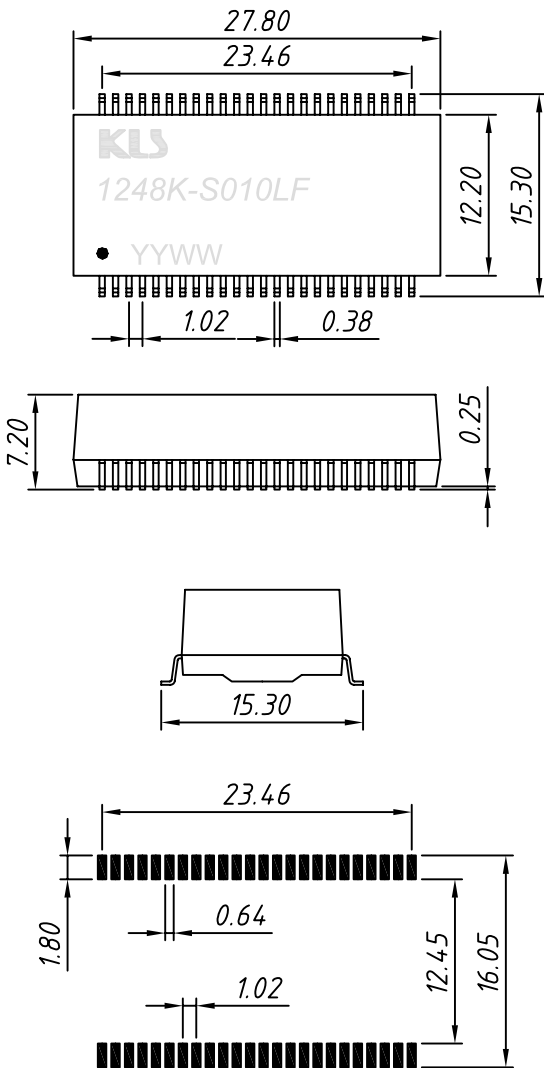
100MHz -30dB min .

Hi-Pot 1500 Vrms Min.

## Features:

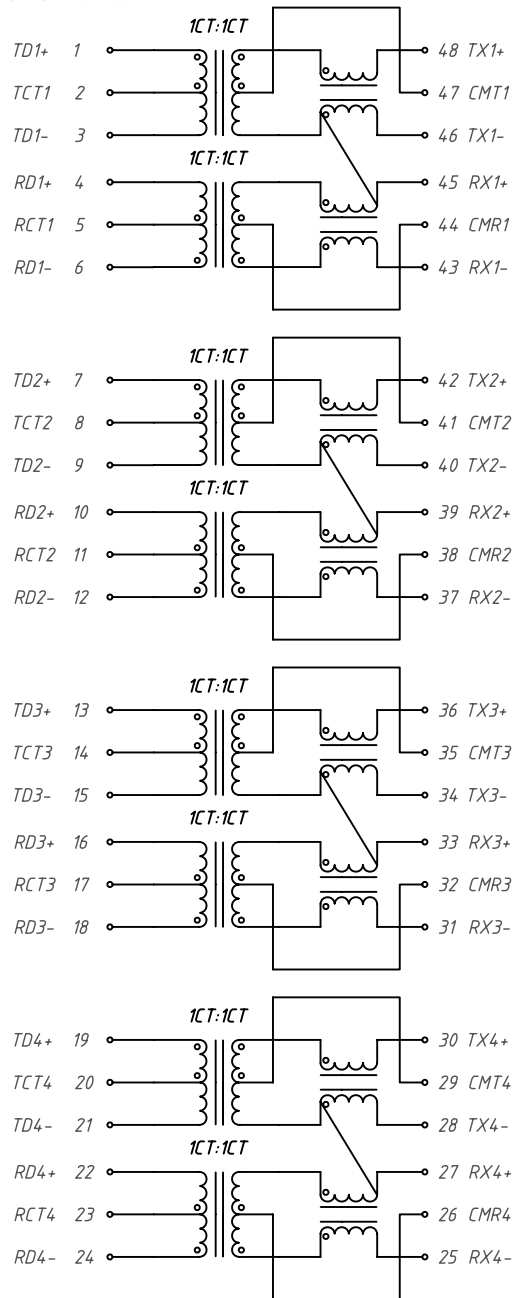
1. Designed to meet IEEE 802.3ab requirements.
2. Designed to meet IR 255°C peak Requirement.
3. Storage temperature range:0~+85°C,90%RH
4. RoHS Compliant
5. Single Port for NIC Application

## Dimension: unit:mm



PCB LAYOUT

## Schematic



1248K-S010LF-T  
1248K-S010LF-R

Packing: Tube  
Packing: Tape&Reel