

# 1000 Base-T Magnetics Modules

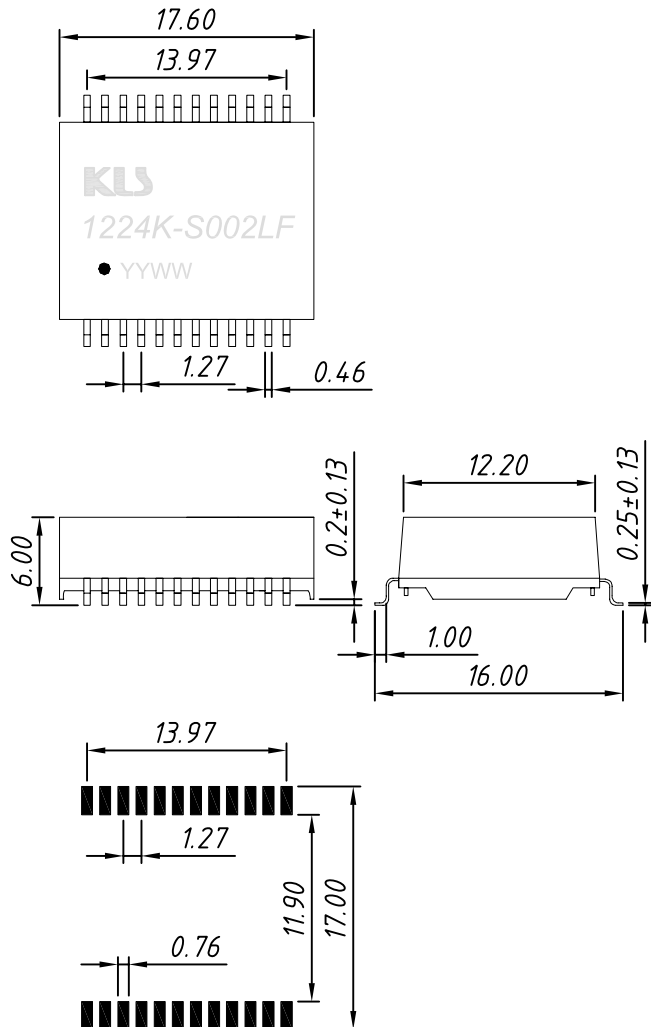
## Electrical Specification:

@25°C Operating Temperature 0 to +70°C

Part NO :		1224K-S002LF
Trun Ratio (±3%) :	TX	1CT:1CT
	RX	1CT:1CT
Insertion loss:	1-100MHz	1.0dB max
Return loss:	1-30MHz	-18dB min
	40MHz	-18dB min
	50MHz	-16dB min
	60-80MHz	-12dB min
	100MHz	-10dB min
DCMR :	30MHz	-43dB min .
	60MHz	-37dB min .
	100MHz	-33dB min .
Crosstalk:	30MHz	-45dB min .
	60MHz	-40dB min .
	100MHz	-35dB min .
Hi-Pot		1500 Vrms Min.



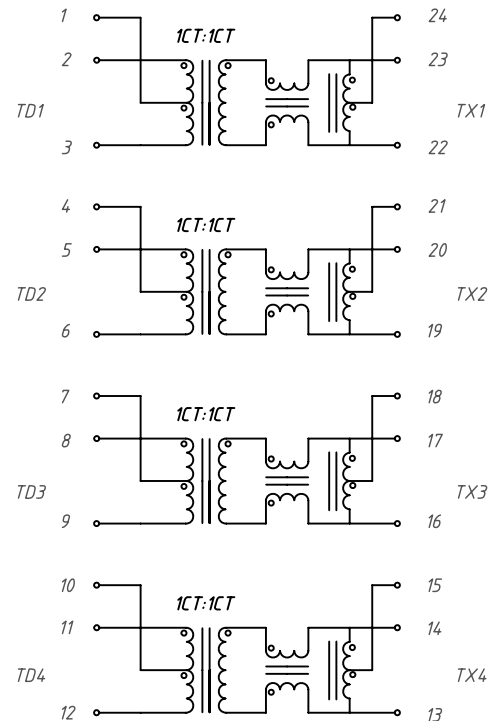
## Dimension: unit:mm



## Features:

1. Designed for long haul gigabit ether net (10/100/1000 Base-T) full duplex applications
2. Supports 4 pairs of CAT5 UTP cable
3. Cable interface for isolation and low common mode emissions
4. Compliant with IEEE 802.3ab standard for 1000 Base-T
5. RoHS Compliant

## Schematic



1224K-S002LF-T  
1224K-S002LF-R

Packing: Tube  
Packing: Tape&Reel