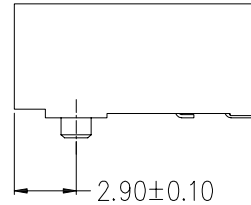
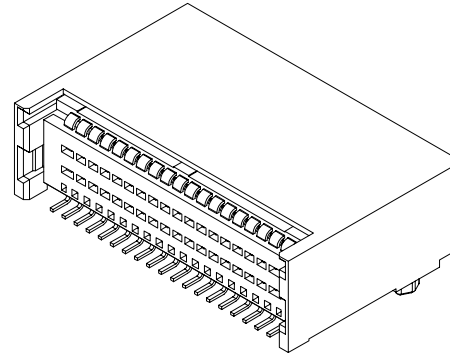
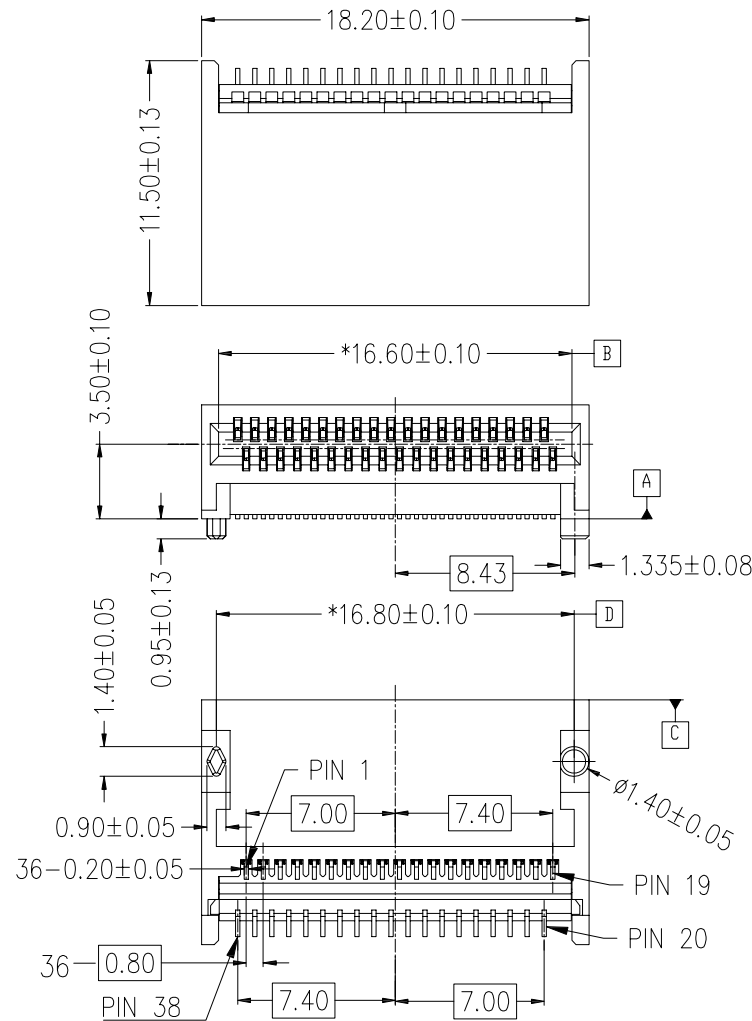


RoHS Compliant



NOTE:

Material:

HOUSING: HIGH TEMPERATURE LCP, BLACK, UL 94 V-0 FLAME RETARDANT.

2. TERMINAL : NICKEL COPPER ALLOY

PLATING SPEC AS BELOW:

OPTION

CONTACT AREA PLATE NICKEL 2.54um MIN, PLATE Gold 0.76um MIN

SOLDER AREA PLATE NICKEL 2.54um MIN, PLATE MATT TIN 2.54*5.09um

3. ELECTRICAL CHARACTERISTICS

CONTACT CURRENT RATING: 0.5 AMPERE

VOLTAGE RATING: 30VAC

CONTACT RESISTANCE: 40 MILLOHMS MAX

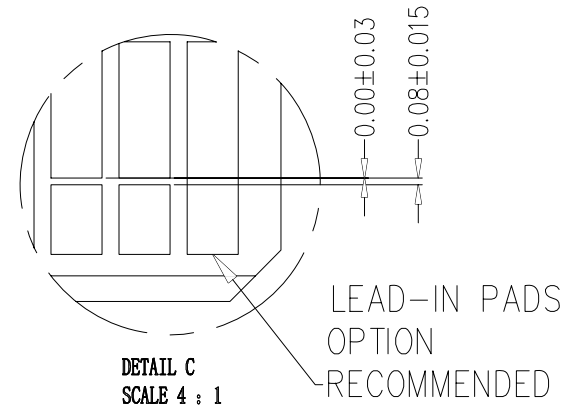
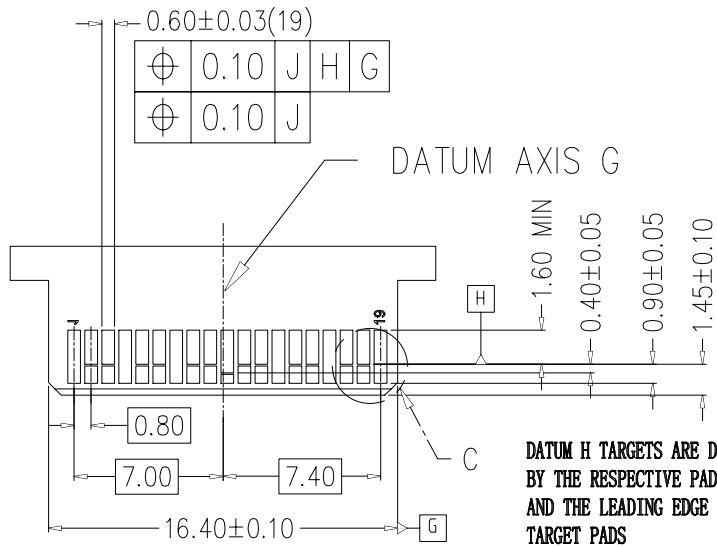
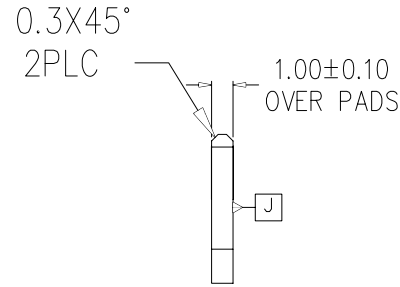
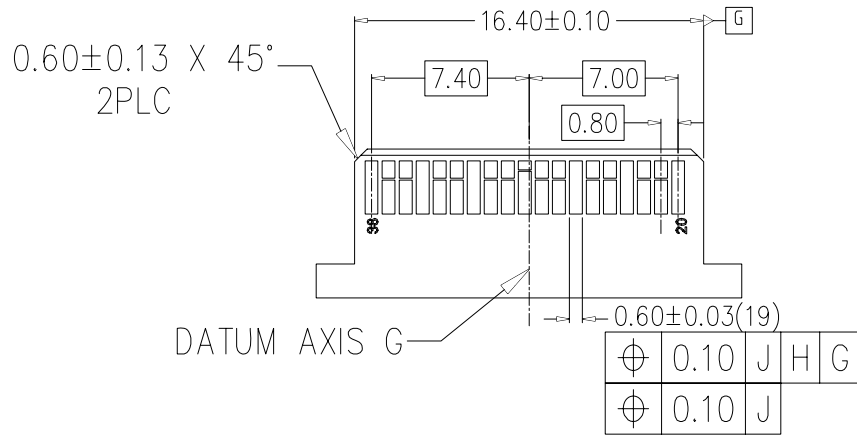
DIELECTRIC WITHSTANDING VOLTAGE: 300VDC

4. ENVIRONMENT

OPERATION TEMPERATURE: -20° C TO 85° C

GENERAL TOLERANCE		ANGLE TOLERANCE		PROJECTION	Description:
X.	± 0.60	X.	$\pm 5^\circ$	UNITS	mm
.X	± 0.38	.X	$\pm 3^\circ$	SHEET SIZE	A4
.XX	± 0.25	.XX	$\pm 2^\circ$	P/N: KLS12-QSFP+01	
Draw by: Date		2016-07-01		KLS ELECTRONIC CO., LTD.	
Check by:: Date		2016-07-01			
SCALE		SHEET	OF		

RoHS Compliant



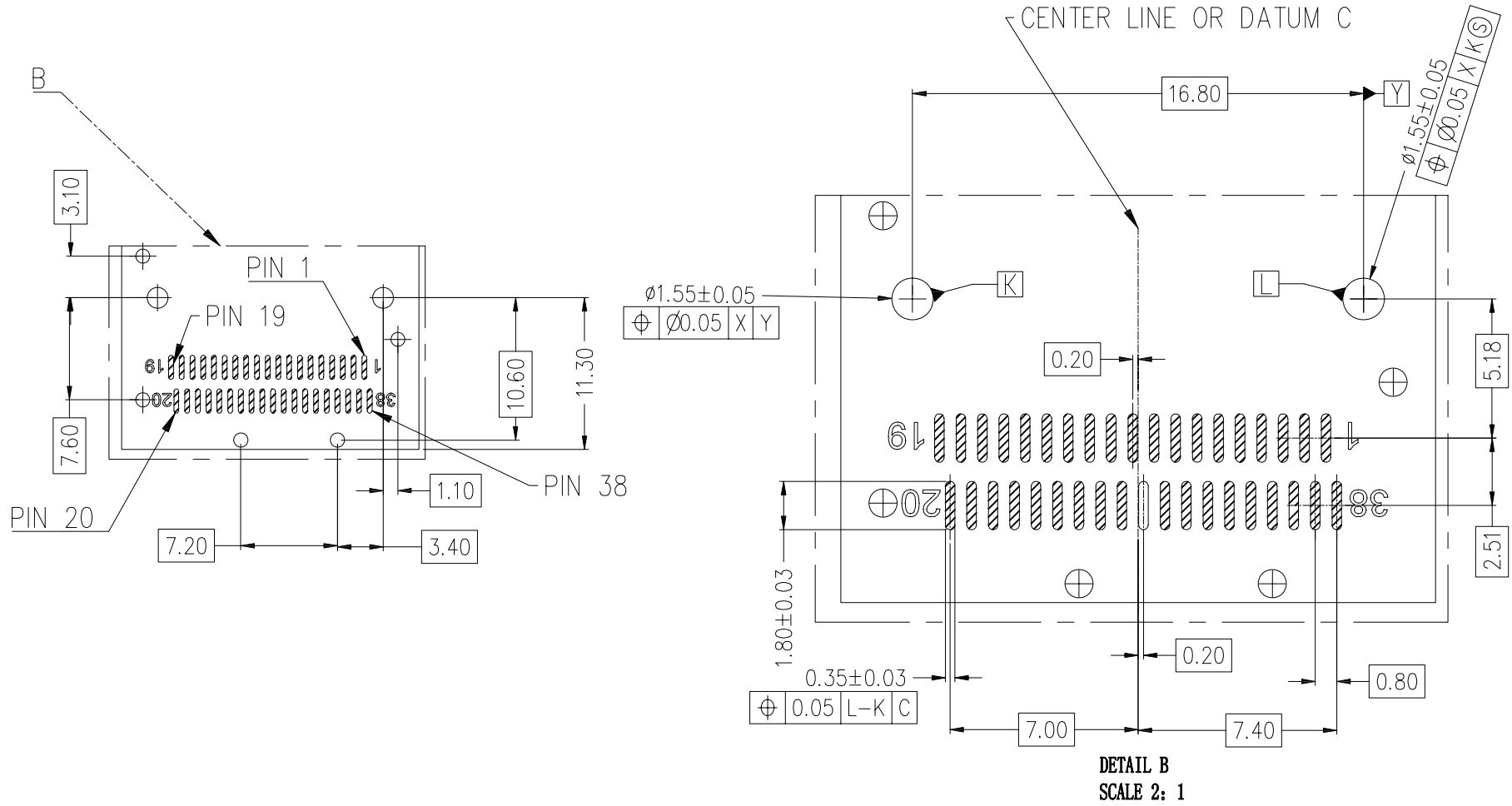
DATUM H TARGETS ARE DEFINED BY THE RESPECTIVE PAD CENTERLINES AND THE LEADING EDGE OF THE TARGET PADS

GENERAL TOLERANCE	ANGLE TOLERANCE	PROJECTION	⊕	Description:
X. ±0.60	X. ±5°	UNITS	mm	QSFP+ 38Pos SMD Connector
.X ±0.38	.X ±3°	SHEET SIZE	A4	
.XX ±0.25	.XX ±2°			P/N: KLS12-QSFP+01

Draw by: Date	2016-07-01
Check by:: Date	2016-07-01
SCALE	SHEET OF

KLS ELECTRONIC CO., LTD.

RoHS Compliant



DETAIL B
SCALE 2: 1

GENERAL TOLERANCE		ANGLE TOLERANCE		PROJECTION		Description:	
X.	±0.60	X.	±5°	UNITS	mm	QSF+ 38Pos SMD Connector	
.X	±0.38	.X	±3°	SHEET SIZE	A4	P/N: KLS12-QSFP+01	
.XX	±0.25	.XX	±2°				

Draw by: Date	2016-07-01
Check by: Date	2016-07-01
SCALE	SHEET OF

KLS ELECTRONIC CO., LTD.