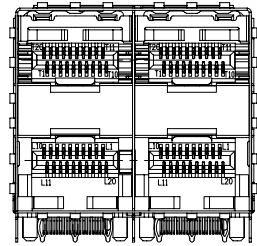
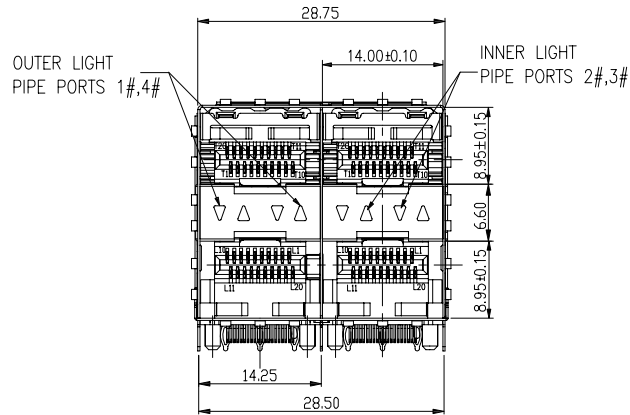
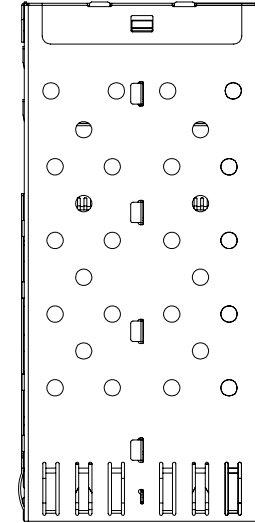
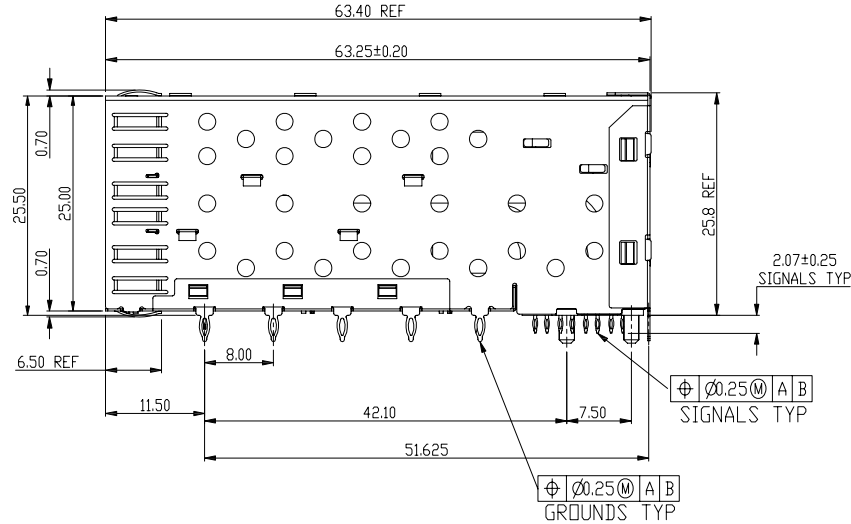


1 RoHS Compliant

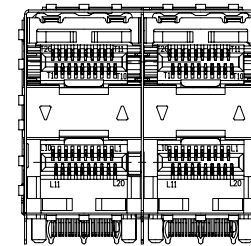


SFP-023  
WITHOUT LIGHT PIPES



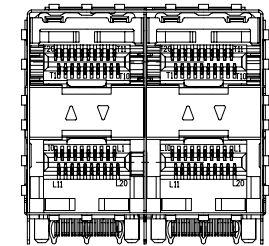
SFP-023L-4

WITH INNER/OUTER LIGHT PIPES



SFP-023L-2A

WITH OUTER LIGHT PIPES



SFP-023L-2B

WITH INNER LIGHT PIPES

NOTE:  
MECHANICAL:

- CONTACT: PHOSPHOR BRONZE C5210-EH T=0.20mm.
- CONNECTOR HOUSING: LCP UL 94V-0. COLOR: BLACK.
- MOULDED INSERT: LCP UL 94V-0. COLOR:BLACK.
- CAGE: COPPER ALLOY C7701 T=0.25mm.
- LIGHT PIPES: POLYCARBONATE. UL 94V-0. COLOR:CLEAR
- LIGHT PIPE HOUSING: PBT+30%G.F UL 94V-0 COLOR:BLACK.

PLATED:

- CONTACT AREA : PLATING GOLD 15u"MIN OVER 50~80u"NICKEL
- DURABILITY: 100 CYCLES MIN.
- INSERTION AND EXTRACTION FORCE: 40N MAX & 11.5N MAX

ENVIRONMENTAL:

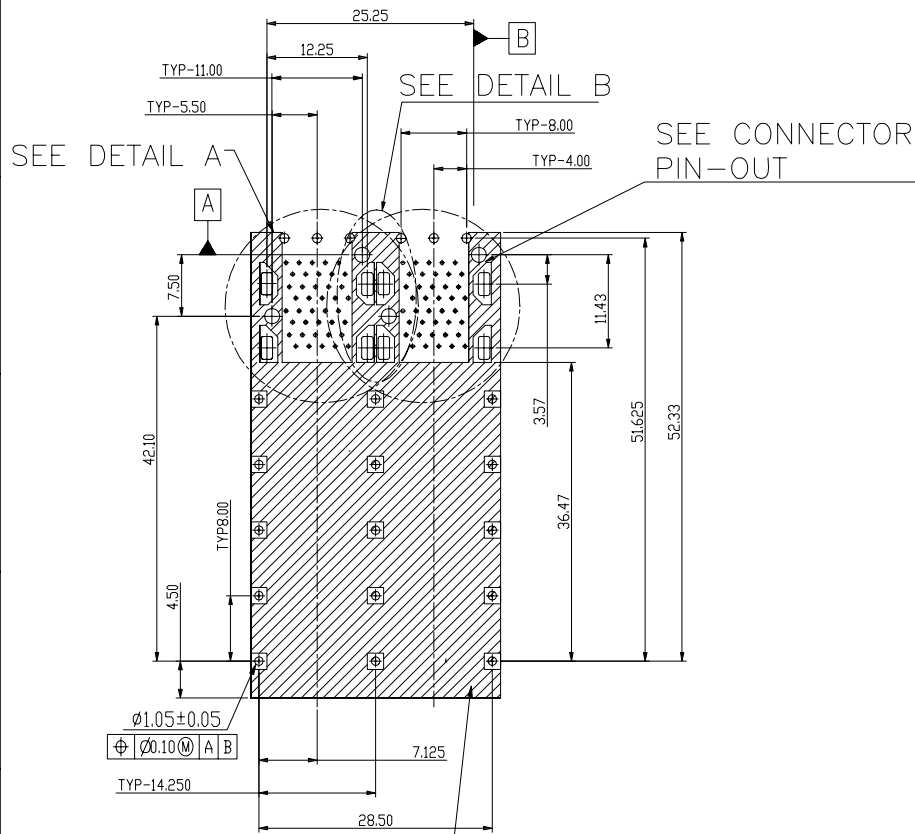
- LOW LEVEL CONTACT RESISTANCE(LLCR):  
ΔR 10 MILLIOHMS MAXIMUM FOR SHIELD AND SIGNAL CONTACTS.
- DIELECTRIC WITHSTANDING VOLTAGE: 300V AC/MAX.
- INSULATION RESISTANCE: 1000MΩ MIN.
- RATINGS CURRENT: 0.5 Amps MAX.
- RATINGS VOLTAGE: 120 volts AC.
- OPERATION: -40°C~+85°C.
- STORAGE: -55°C~+105°C.
- ROHS COMPLIANT

GENERAL TOLERANCE	ANGLE TOLERANCE	PROJECTION	Description:
X. ±0.60	X. ±5°	UNITS	SFP 2x1 Press Fit Connector
.X ±0.38	.X ±3°	SHEET SIZE	
.XX ±0.25	.XX ±2°		P/N: KLS12-SFP-023

Draw by: Date	2016-07-01
Check by: Date	2016-07-01
SCALE	SHEET OF

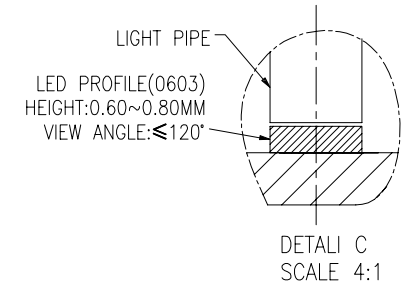
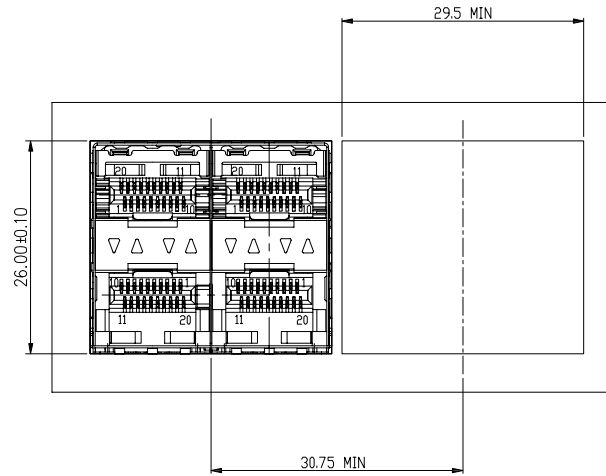
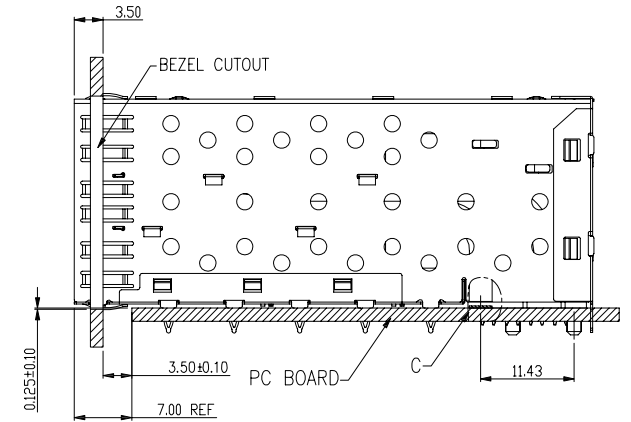
KLS ELECTRONIC CO., LTD.

RoHS Compliant



CROSS-HATCHED AREA DENOTES COMPONENT AND TRACE KEEP-OUT

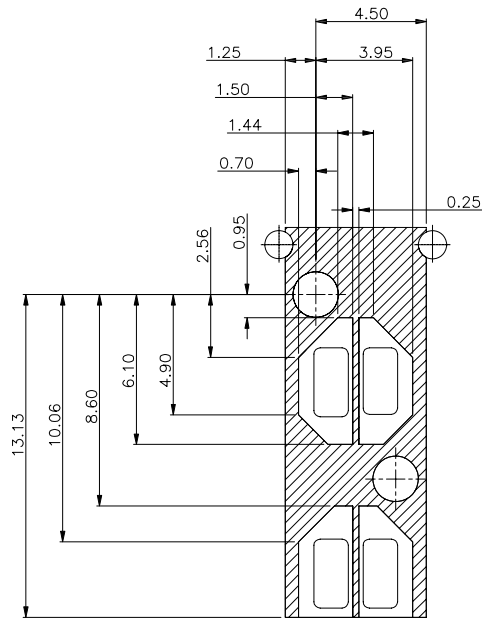
RECOMMENDED PC BOARD LAYOUT AS VIEWED FROM COMPONENT SIDE TOLERANCE  $\pm 0.05\text{mm}$



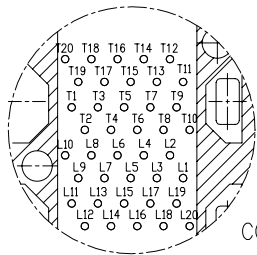
BEZEL CUT-OUT CENTER SPACING DETAIL  
BEZEL THICKNESS:0.8-2.6

GENERAL TOLERANCE		ANGLE TOLERANCE		PROJECTION		Description:	
X	$\pm 0.60$	X	$\pm 5^\circ$	UNITS	mm	SFP 2x1 Press Fit Connector P/N: KLS12-SFP-023	
.X	$\pm 0.38$	.X	$\pm 3^\circ$	SHEET SIZE	A4		
.XX	$\pm 0.25$	.XX	$\pm 2^\circ$				
Draw by: Date		2016-07-01		KLS ELECTRONIC CO., LTD.			
Check by:: Date		2016-07-01					
SCALE		SHEET	OF				

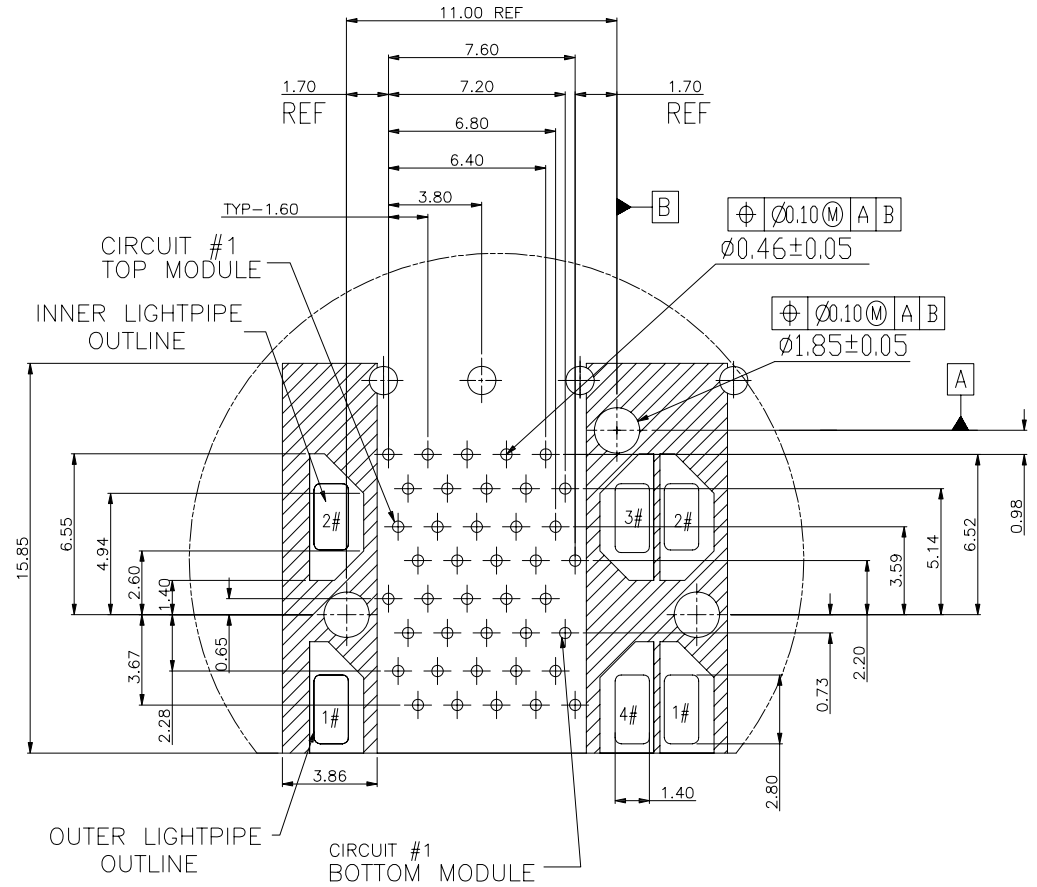
RoHS Compliant



DETAIL B  
SCALE 6:1



CONNECTOR PIN-OUT  
COMPONENT SIDE OF BOARD



DETAIL A  
SCALE 6:1

GENERAL TOLERANCE	ANGLE TOLERANCE	PROJECTION	Description:
X. $\pm 0.60$	X. $\pm 5^\circ$	UNITS	mm
.X $\pm 0.38$	.X $\pm 3^\circ$	SHEET SIZE	A4
.XX $\pm 0.25$	.XX $\pm 2^\circ$		P/N: KLS12-SFP-023

Draw by: Date	2016-07-01
Check by: Date	2016-07-01
SCALE	SHEET OF

KLS ELECTRONIC CO., LTD.