

Mini Din Connectors* Din Connectors

KLS1-DS-3-03 DS Terminal Series

Material:

Base:PBT UL 94V-0

Contact:H62 Brass

Environmental:

Operating Temperature:-22 C ~ + 70 C

Electrical:

Rated Load:DC 30V 2A

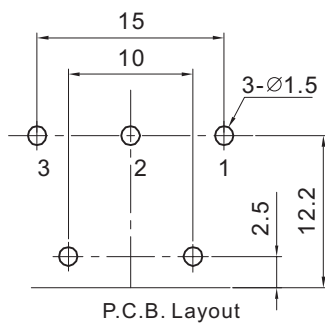
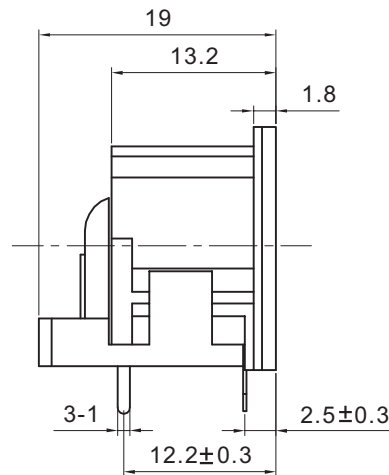
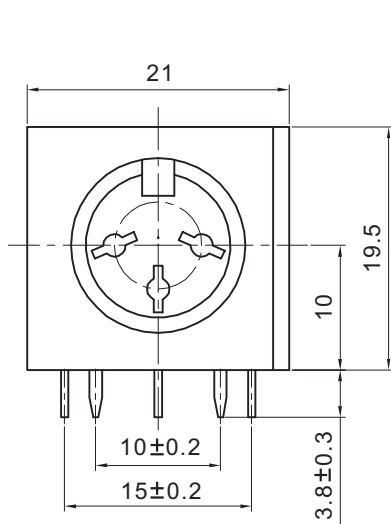
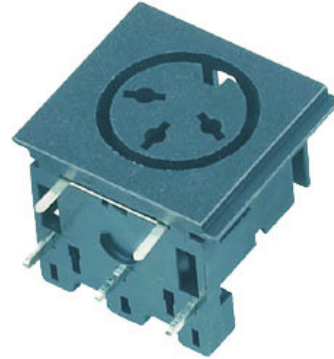
Dielectric Withstanding:AC250V(50Hz)/min

Insulation Resistance: $\geq 100M\Omega$

CONTACT RESISTANCE: $\leq 0.03\Omega$

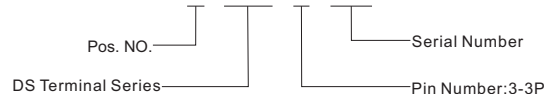
Insertion and Extraction Force:5-35N

Life:5000



ORDER INFORMATION

Product NO.: KLS1-DS-3-03



Mini Din Connectors* Din Connectors

KLS1-DS-4-03 DS Terminal Series

Material:

Base:PBT UL 94V-0

Contact:H62 Brass

Environmental:

Operating Temperature:-25 C ~ + 70 C

Electrical:

Rated Load:2A 100V AC

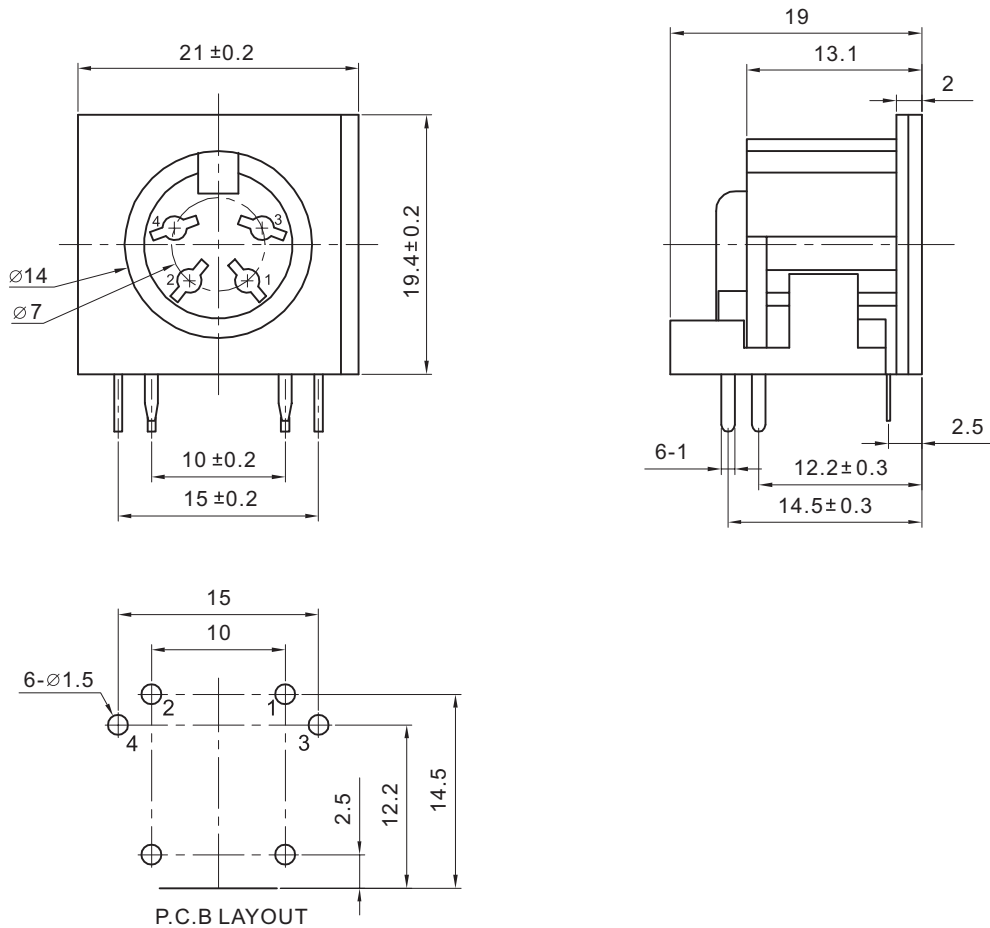
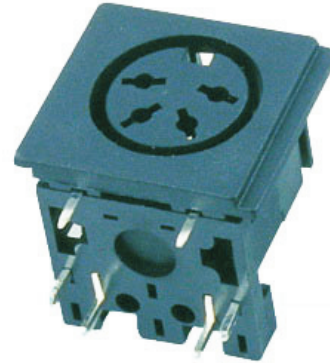
Dielectric Withstanding:500V AC(50Hz)/1min

Insulation Resistance: $\geq 100M\Omega$

Contact Resistance: $\leq 30m\Omega$

Insertion and Extraction Force:10-50N

Life: ≥ 5000



ORDER INFORMATION

Product NO.: KLS1-DS-4-03



Mini Din Connectors* Din Connectors

KLS1-DS-5-03 DS Terminal Series

Material:

Base:PBT UL 94V-0

Contact:H62 Brass

Environmental:

Operating Temperature:-25 C ~ + 70 C

Electrical:

Rated Load:2A 100V AC

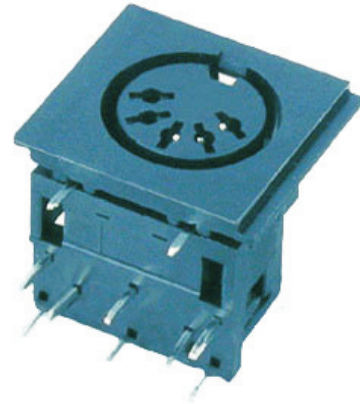
Dielectric Withstanding:500V AC(50Hz)/1min

Insulation Resistance: $\geq 100\text{M}\Omega$

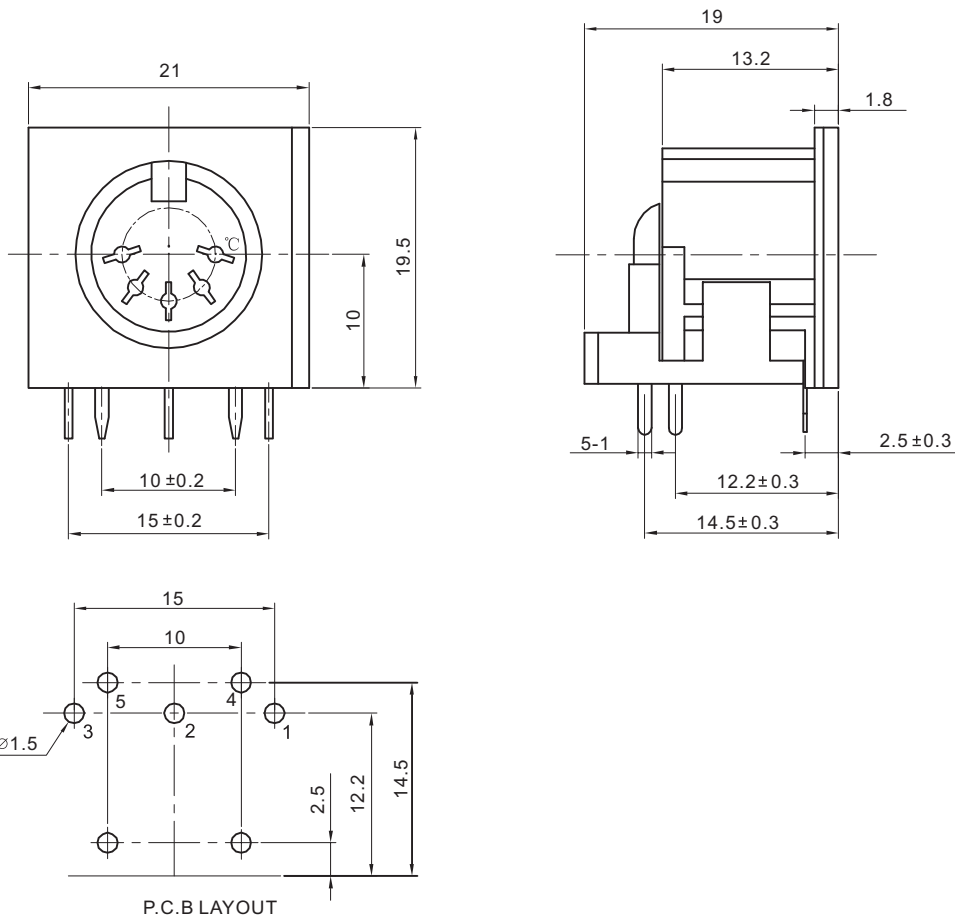
Contact Resistance: $\leq 30\text{m}\Omega$

Insertion and Extraction Force:10-50N

Life: ≥ 5000

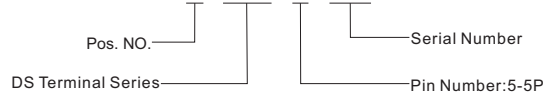


I



ORDER INFORMATION

Product NO.: KLS1-DS-5-03



Mini Din Connectors* Din Connectors

KLS1-DS-6-03 DS Terminal Series

Material:

Base:PBT UL 94V-0

Contact:H62 Brass

Environmental:

Operating Temperature:-25 C ~ + 70 C

Electrical:

Rated Load:2A 100V AC

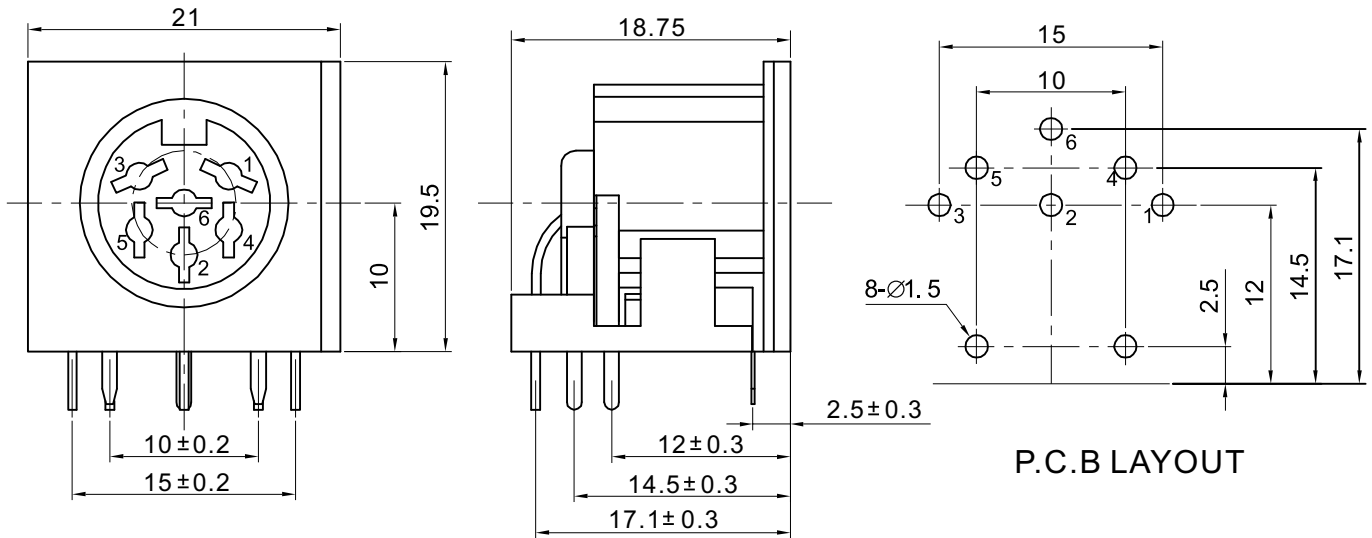
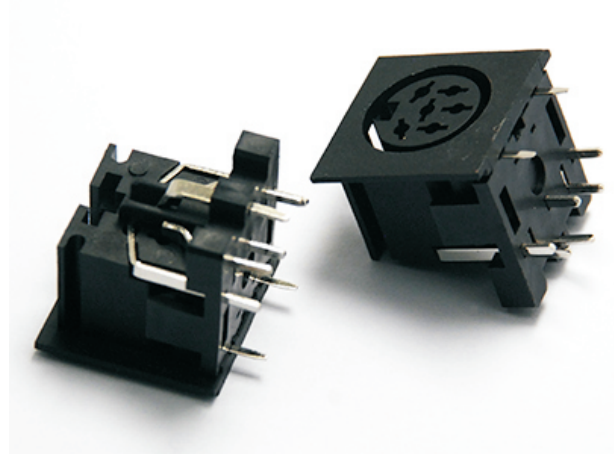
Dielectric Withstanding:500V AC(50Hz)/1min

Insulation Resistance: $\geq 100M\Omega$

Contact Resistance: $\leq 30m\Omega$

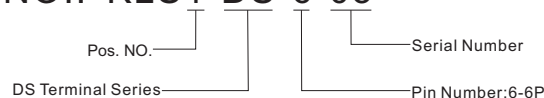
Insertion and Extraction Force:10-50N

Life: ≥ 5000



ORDER INFORMATION

Product NO.: KLS1-DS-6-03



Mini Din Connectors* Din Connectors

KLS1-DS-7-03 DS Terminal Series

Material:

Base:PBT UL 94V-0

Contact:H62 Brass

Environmental:

Operating Temperature:-25 C ~ + 70 C

Electrical:

Rated Load:2A 100V AC

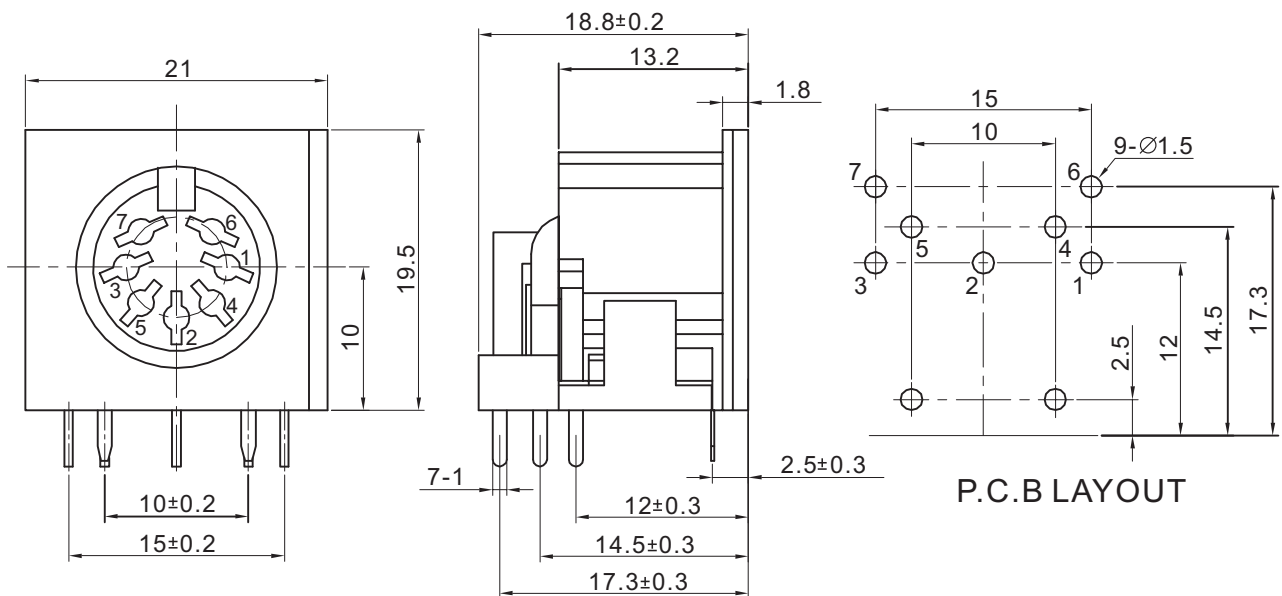
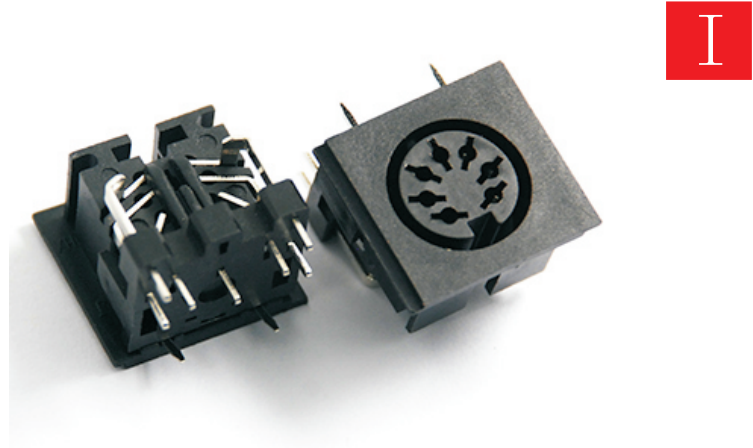
Dielectric Withstanding:500V AC(50Hz)/1min

Insulation Resistance: $\geq 100M\Omega$

Contact Resistance: $\leq 30m\Omega$

Insertion and Extraction Force:10-50N

Life: ≥ 5000



ORDER INFORMATION

Product NO.: KLS1-DS-7-03



Mini Din Connectors* Din Connectors

KLS1-DS-8-03 DS Terminal Series

Material:

Base:PBT UL 94V-0

Contact:H62 Brass

Environmental:

Operating Temperature:-25 C ~ + 70 C

Electrical:

Rated Load:2A 100V AC

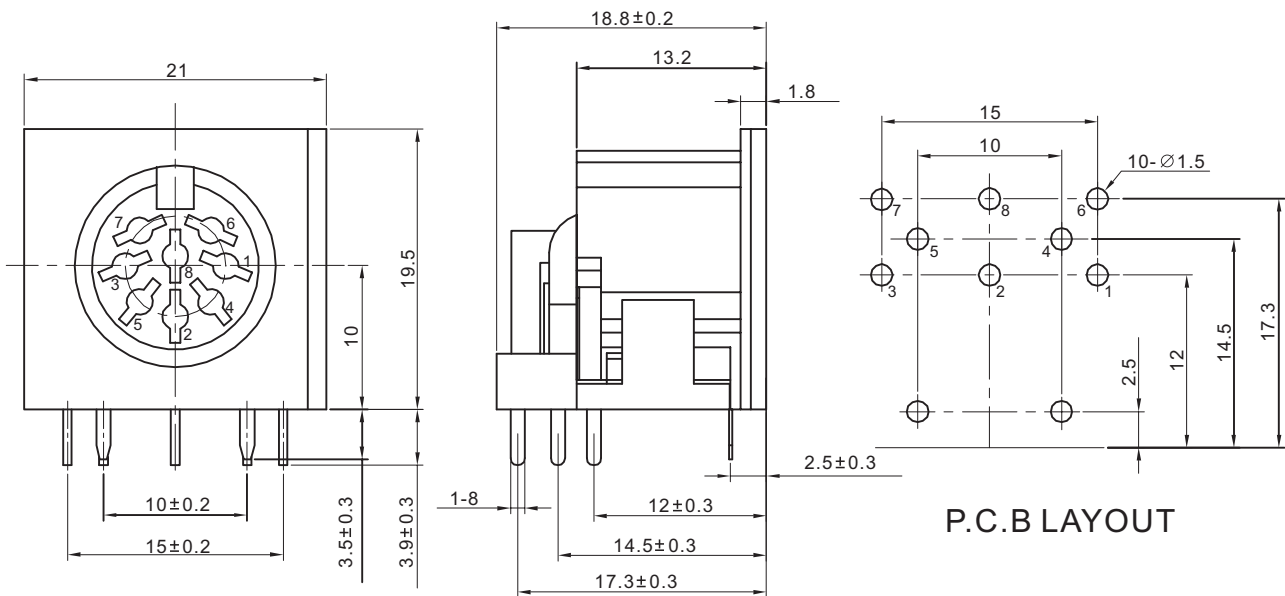
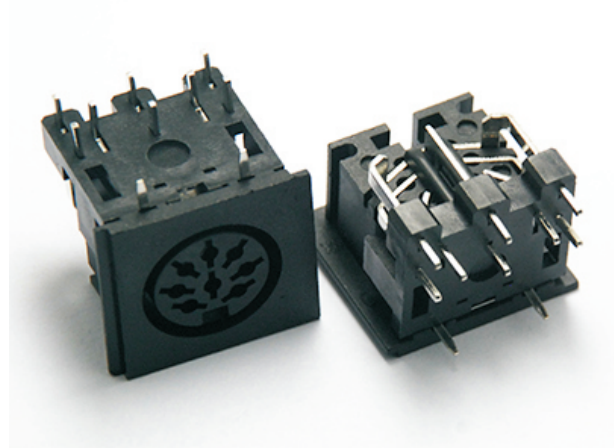
Dielectric Withstanding:500V AC(50Hz)/1min

Insulation Resistance: $\geq 100M\Omega$

Contact Resistance: $\leq 30m\Omega$

Insertion and Extraction Force:10-50N

Life: ≥ 5000



ORDER INFORMATION

Product NO.: KLS1-DS-8-03

