

Mini Din Connectors* Din Connectors

KLS1-DS-5-07 DS Terminal Series

Material:

Base:PBT UL 94V-0

Contact:H62 Brass

Environmental:

Operating Temperature:-25 C ~ + 70 C

Electrical:

Rated Load:2A 100V AC

Dielectric Withstanding:500V AC(50Hz)/1min

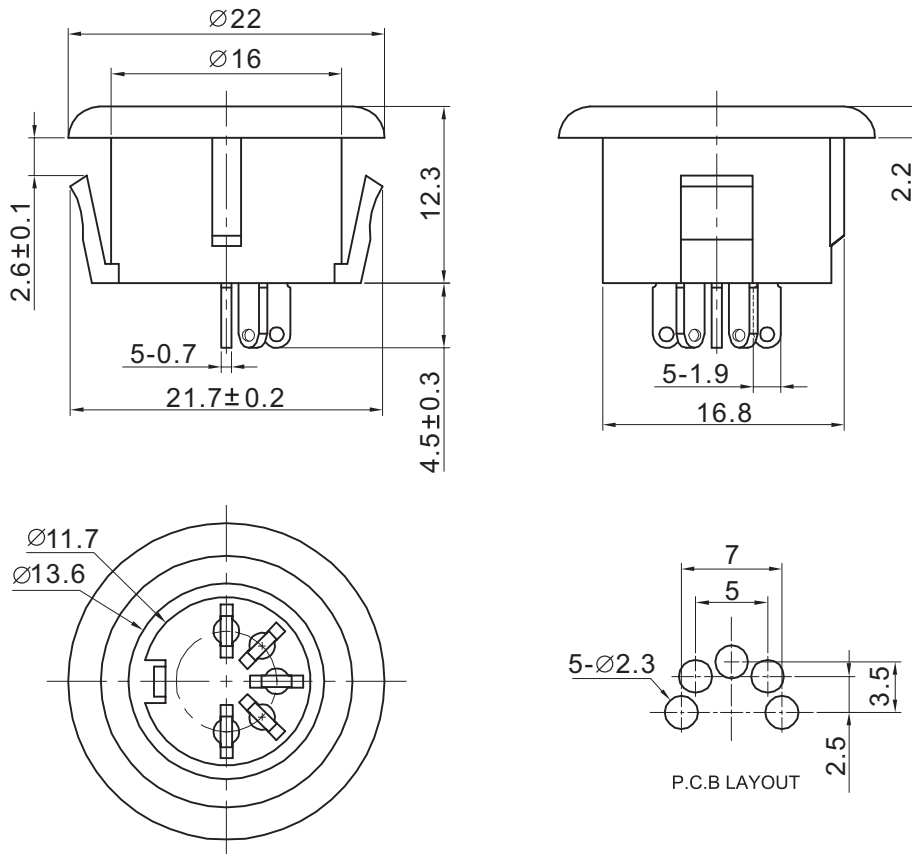
Insulation Resistance: $\geq 100M\Omega$

Contact Resistance: $\leq 30m\Omega$

Insertion and Extraction Force:10-50N

Life: ≥ 5000

I



ORDER INFORMATION

Product NO.: KLS1-DS-5-07

Pos. NO. Serial Number
DS Terminal Series Pin Number:5-5P