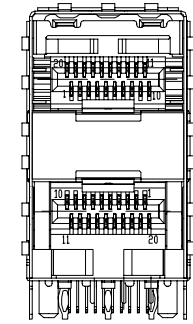
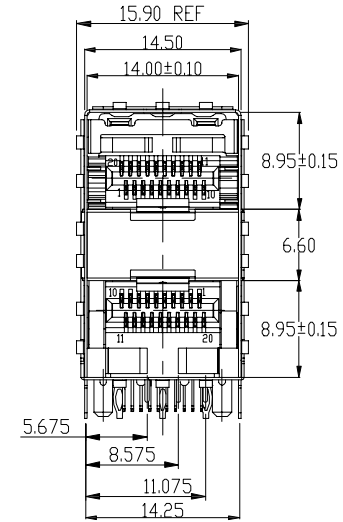
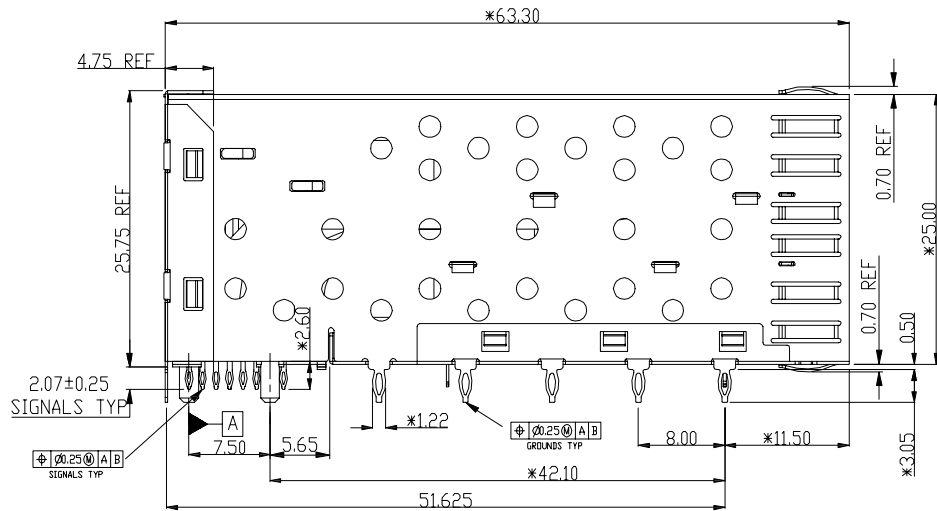


RoHS Compliant



SFP-013
SFP 2x1 Press Fit
WITHOUT LIGHT PIPES

ENVIRONMENTAL:

1. LOW LEVEL CONTACT RESISTANCE(LLCR):
ΔR 10 MILLIOHMS MAXIMUM FOR SHIELD AND SIGNAL CONTACTS.
2. WITHSTANDING VOLTAGE: 300V AC/MAX.
3. INSULATION RESISTANCE: 1x10⁹ OHMS MINIMUM.
4. RATINGS CURRENT: SIGNAL APPLICATION ONLY.
5. RATINGS VOLTAGE: 120 volts AC.
6. OPERATION: -40°C~+85°C.
7. STORAGE: -55°C~+105°C.
8. ROHS COMPLIANT

NOTE:

MATERIAL:

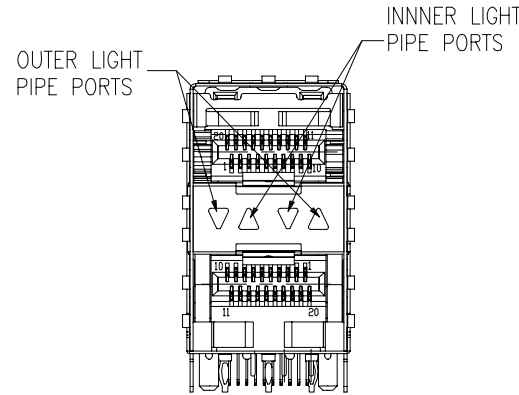
1. CONTACT: PHOSPHOR BRONZE C5210-EH T=0.20mm.
2. CONNECTOR HOUSING: LCP UL 94V-0. COLOR: BLACK.
3. MOULDED INSET:HIGH TEMPERATURE PLASTIC UL 94V-0. COLOR:BLACK.
4. CAGE: COPPER ALLOY C7701 T=0.25mm.
5. LIGHT PIPES: POLYCARBONATE. UL 94V-0. COLOR:CLEAR
6. LIGHT PIPE HOUSING: PBT+30%.G.F UL 94V-0 COLOR:BLACK.

PLATED:

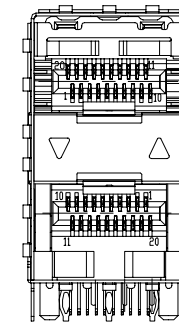
1. CONTACT MATING AREA : PLATING GOLD 0.38 MICROMETERS MINIMUM OVER 1.27 MICROMETERS MINIMUM NICKEL.
2. CONTACT NEEDLE EYE: 1.27 MICROMETERS MINIMUM MATTE TIN OVER 1.27 MICROMETERS MINIMUM NICKEL.

MECHANICAL REQUIREMENT:

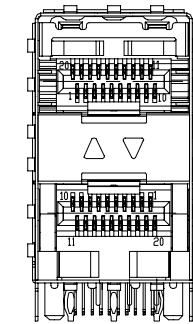
1. DURABILITY: 100 CYCLES MIN.
2. INSERTION AND EXTRACTON FORCF: 40N MAX & 11.5N MAX



SFP-013L-4
SFP 2x1 Press Fit
WITH INNER/OUTER
LIGHT PIPES



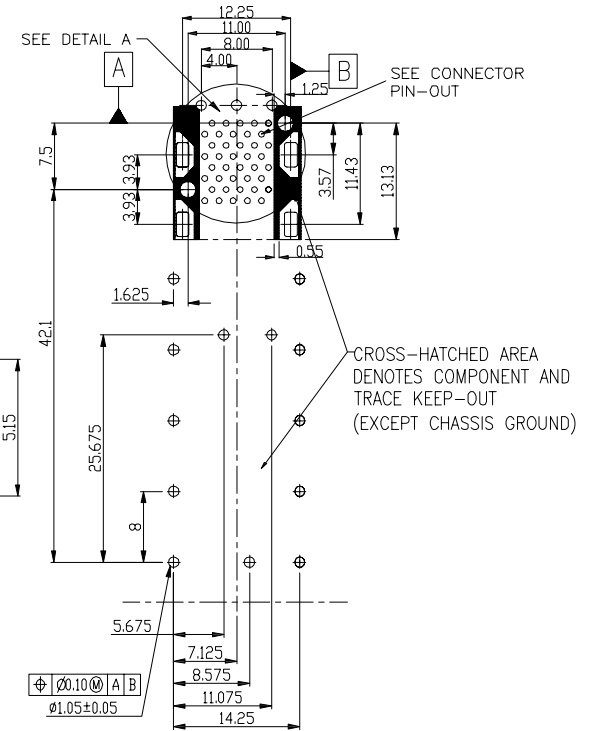
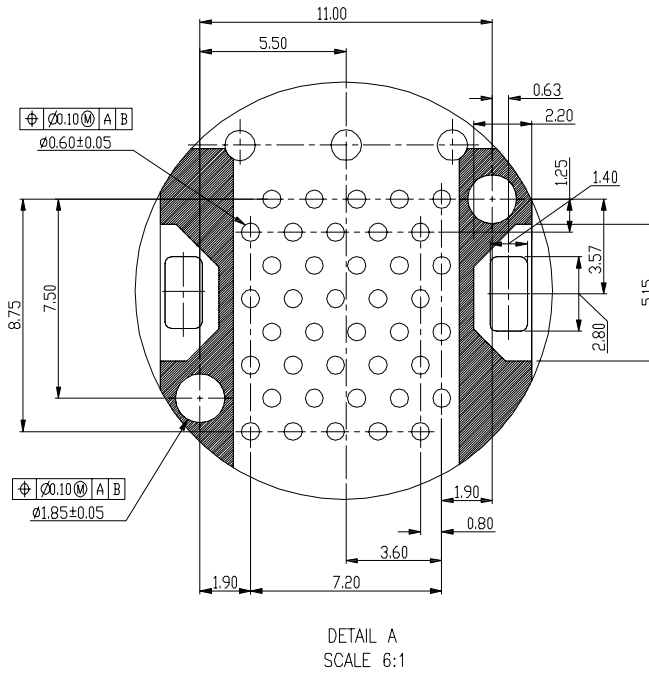
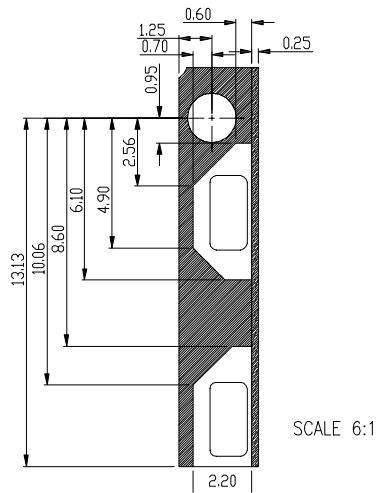
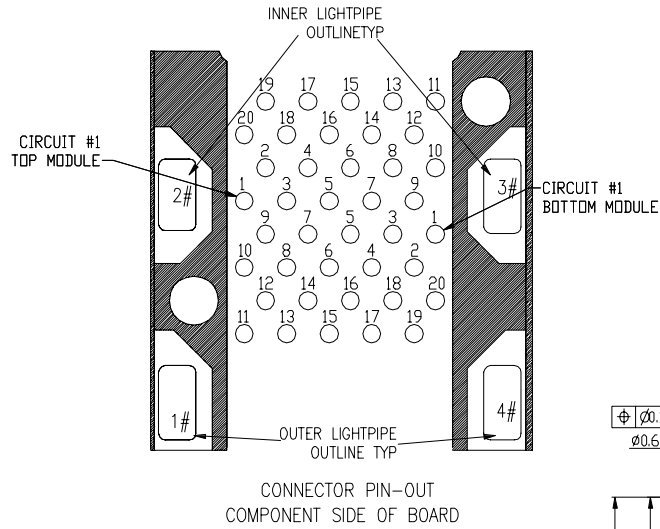
SFP-013L-2A
SFP2x1 Press Fit
WITH OUTER LIGHT PIPES



SFP-013L-2B
SFP2x1 Press Fit
WITH INNER LIGHT PIPES

GENERAL TOLERANCE		ANGLE TOLERANCE		PROJECTION	Description:
X.	±0.60	X.	±5°	mm	SFP 2x1 Press Fit Connector
.X	±0.38	.X	±3°	A4	
.XX	±0.25	.XX	±2°		
Draw by: Date		2016-07-01		P/N: KLS12-SFP-013	
Check by: Date		2016-07-01		KLS ELECTRONIC CO., LTD.	
SCALE		SHEET	OF		

RoHS Compliant

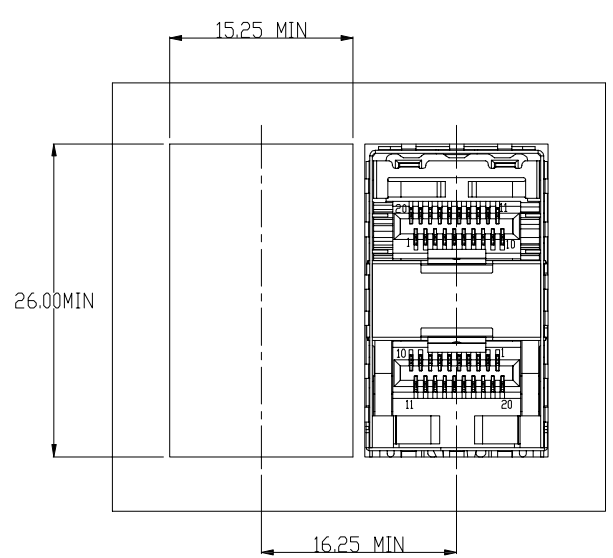


GENERAL TOLERANCE	ANGLE TOLERANCE	PROJECTION	Description:
.X ±0.60	.X ±5°	UNITS	mm
.X ±0.38	.X ±3°	SHEET SIZE	A4
.XX ±0.25	.XX ±2°		P/N: KLS12-SFP-013

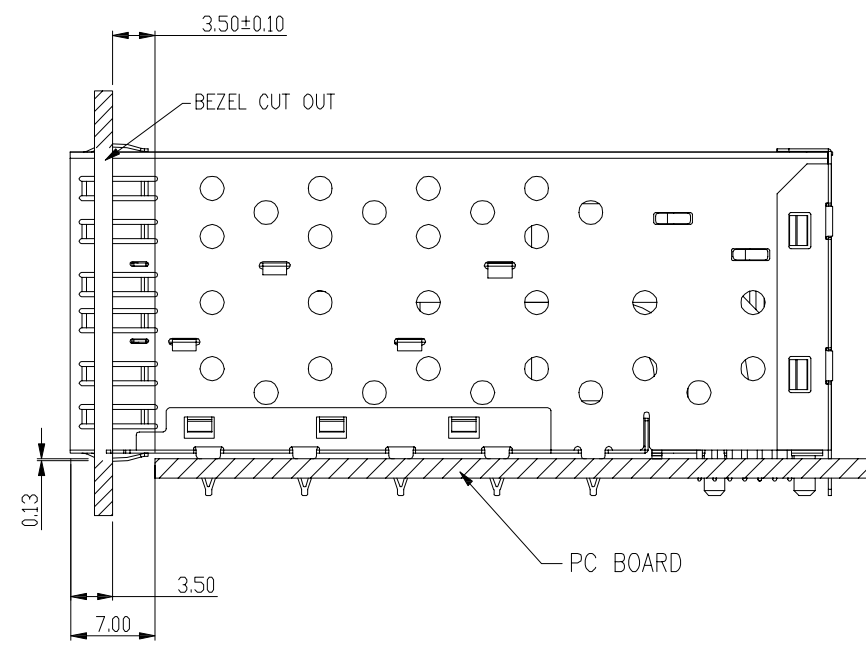
Draw by: Date	2016-07-01
Check by: Date	2016-07-01
SCALE	SHEET OF

KLS ELECTRONIC CO., LTD.

RoHS Compliant



BEZEL CUT-OUT CENTER SPACING DETAIL
BEZEL THICKNESS:0.8-2.6



GENERAL TOLERANCE	ANGLE TOLERANCE	PROJECTION	⊕	Description:
.X ±0.60	.X ±5°	UNITS	mm	SFP 2x1 Press Fit Connector
.X ±0.38	.X ±3°	SHEET SIZE	A4	
.XX ±0.25	.XX ±2°			P/N: KLS12-SFP-013

Draw by: Date	2016-07-01
Check by:: Date	2016-07-01
SCALE	SHEET OF

KLS ELECTRONIC CO., LTD.