



AC Power Sockets*AC Plugs

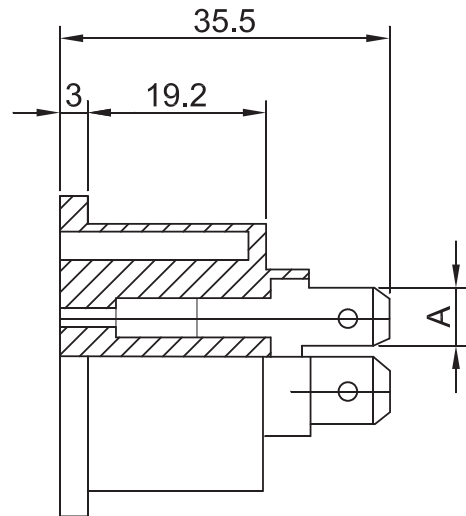
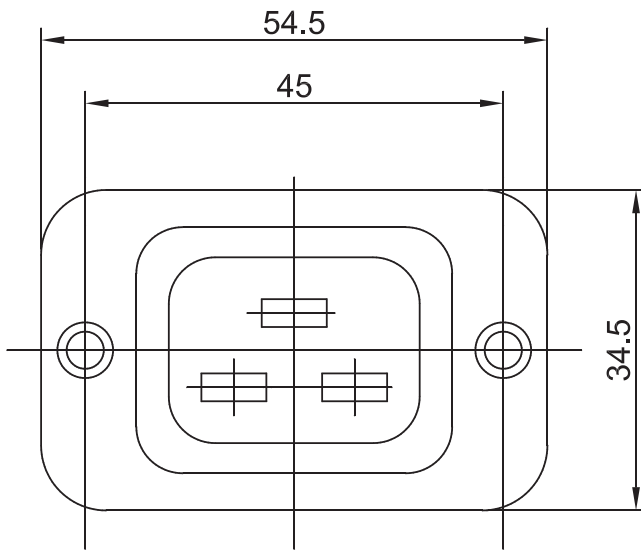
KLS1-AS-305-15 AC Power Sockets*AC Plugs

Material:

Material(External): Nylon PA66 PC
Rating Voltage: 250V 10A
Humidity: 93%+40
Insulation: $\geq 100M\Omega$
Withstand Voltage: AC 500V(50Hz)/min

Electrical Characteristics:

Conduct Material: COPPER
Temperature Range: $-40^{\circ}\text{C} + 70^{\circ}\text{C}$
Contact Resistance: $\leq 0.03\Omega$
Actuating Force: 5-40N
Lifespan: 10000times



ORDER INFORMATION

Product NO.: KLS1 - AS-305-15

Pos. NO. _____

AC Socket _____