



AC Power Sockets*AC Plugs

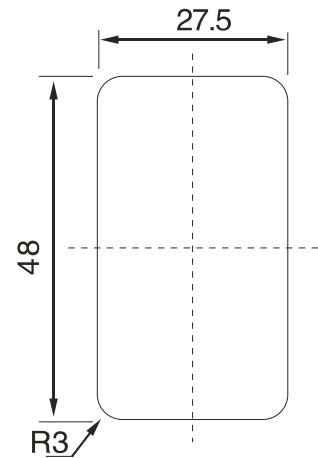
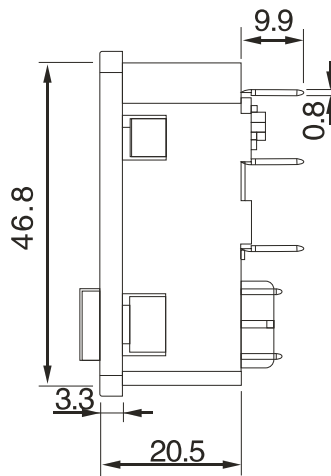
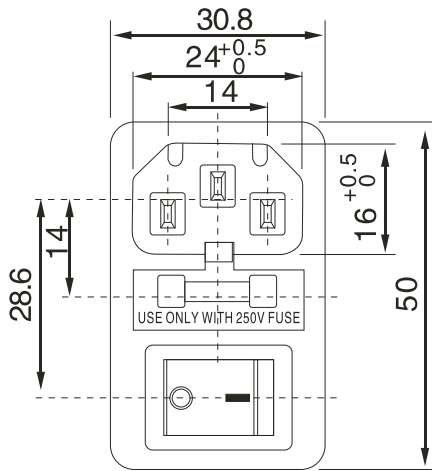
KLS1-AS-303-4A AC Power Sockets*AC Plugs

Material:

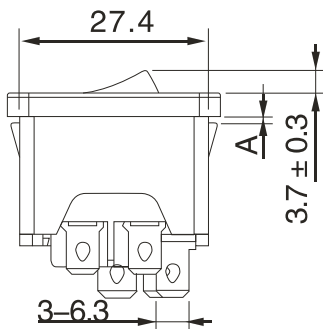
Material(External): Nylon PA66 PC
 Rating Voltage: 250V 10A
 Humidity: 93%+40
 Insulation: ≥100MΩ
 Withstand Voltage: AC 500V(50Hz)/min

Electrical Characteristics:

Conduct Material: COPPER
 Temperature Range: -40℃ + 70℃
 Contact Resistance: ≤0.03Ω
 Actuating Force: 5-40N
 Lifespan: 10000times



PANEL CUT-OUT



CODE	DIMENSION
A	1.0
	1.2
	1.5
	2.0
	3.0

ORDER INFORMATION

Product NO.: KLS1-AS-303-4A

