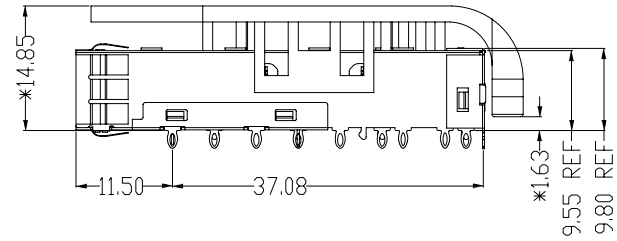
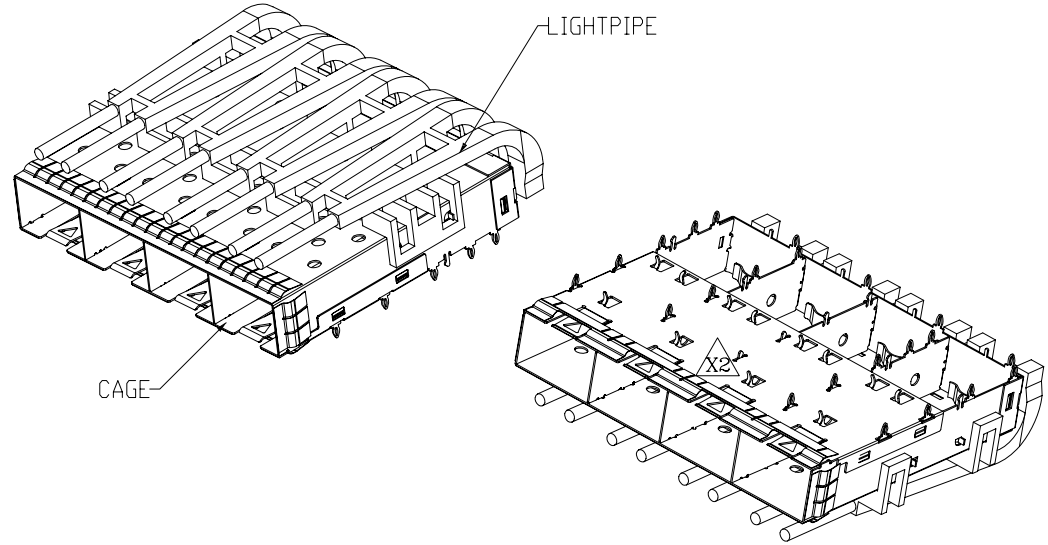
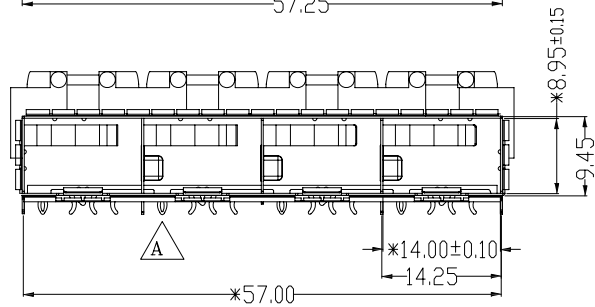
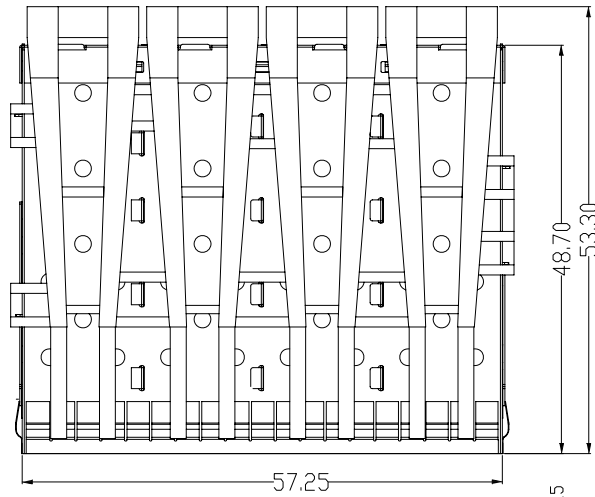


RoHS Compliant



NOTE:

1, DESCRIPTION	Q'ty	MATERIAL	PLATING
01 SFP CAGE	1PCS	COPPER ALLOY T=0.25	N/A
02 LIGHTPIPE	1PCS	POLYCARBONATE. UL 94V-0 COLOR: CLEAR	N/A
03 EMI SPRINGS	4PCS	BERYLLIUM COPPER T=0.08	NI FOR ALL

2, TEMPERATURE:

OPERATION: -40°C~+85°C

STORAGE: -55°C~+105°C

3, INSERTION AND EXTRACTION FORCE: 40N MAX & 11.5 MAX

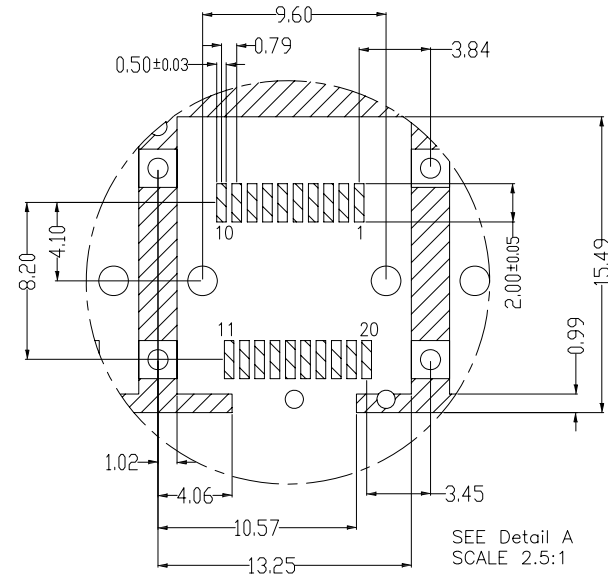
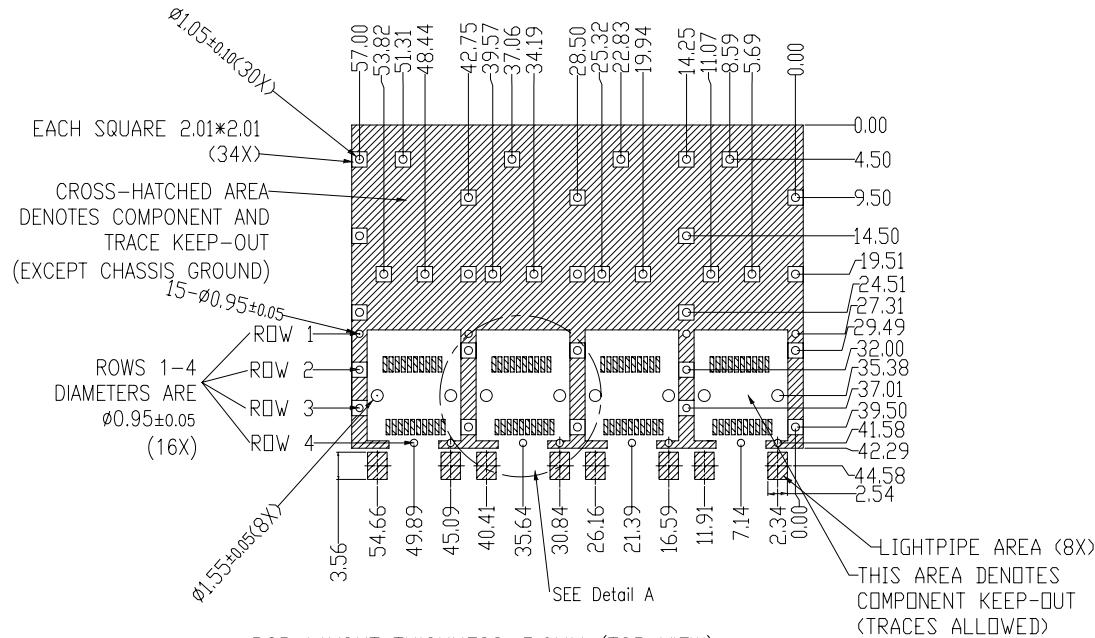
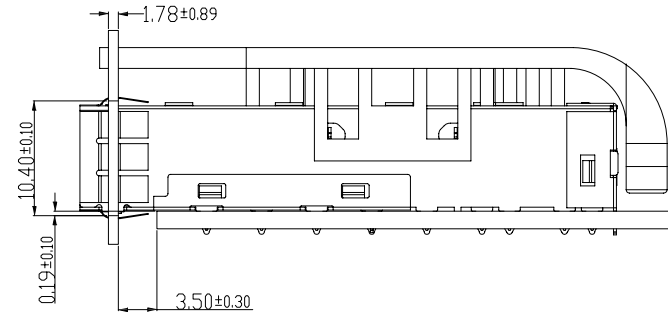
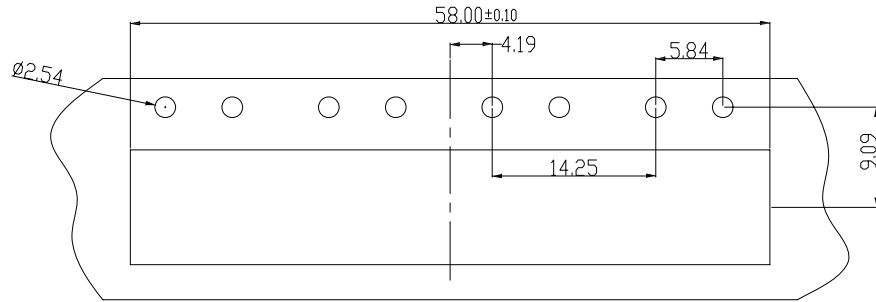
4, DURABILITY: 100 CYCLES MIN.

GENERAL TOLERANCE	ANGLE TOLERANCE	PROJECTION	Description:
X. ±0.60	X. ±5°	UNITS	SFP Cage 1x4 Press-fit with light pipe
.X ±0.38	.X ±3°	SHEET SIZE	
.XX ±0.25	.XX ±2°		
			P/N: KLS12-SFP-016A

Draw by: Date	2016-07-01
Check by: Date	2016-07-01
SCALE	SHEET OF

KLS ELECTRONIC CO., LTD.

RoHS Compliant



GENERAL TOLERANCE	ANGLE TOLERANCE	PROJECTION	Description: SFP Cage 1x4 Press-fit with light pipe
X. ±0.60	X. ±5°	UNITS mm	
.X ±0.38	.X ±3°	SHEET SIZE A4	
.XX ±0.25	.XX ±2°		P/N: KLS12-SFP-016A

Draw by: Date	2016-07-01
Check by: Date	2016-07-01
SCALE	SHEET OF

KLS ELECTRONIC CO., LTD.