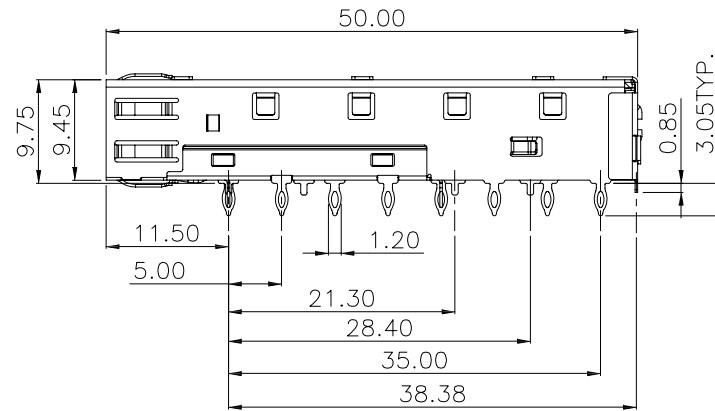
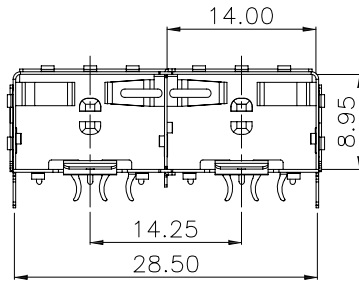
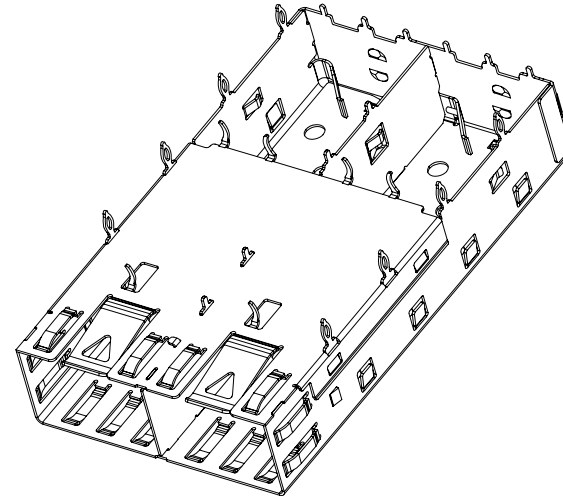
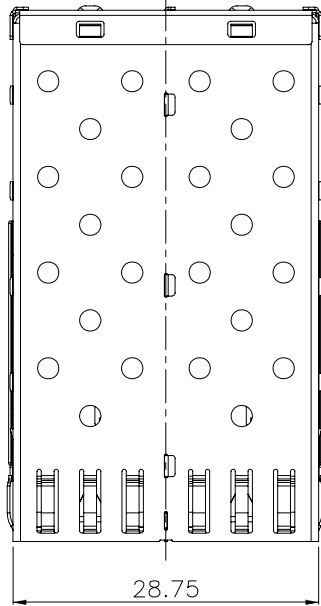


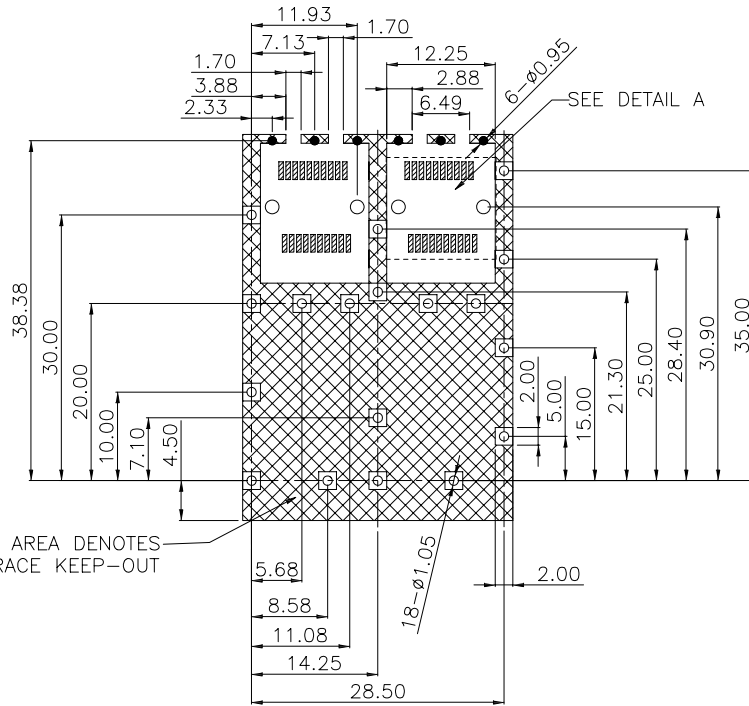
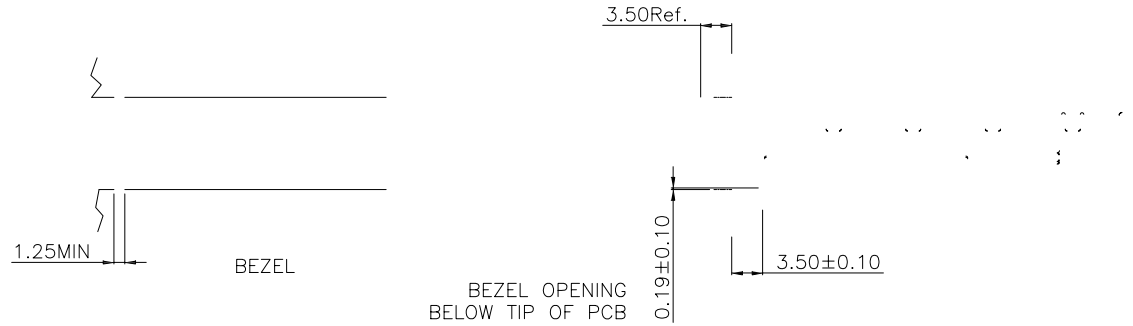
1
2
3
4
5
6
7
8
A
B
C
D
E
F
G
H

RoHS Compliant

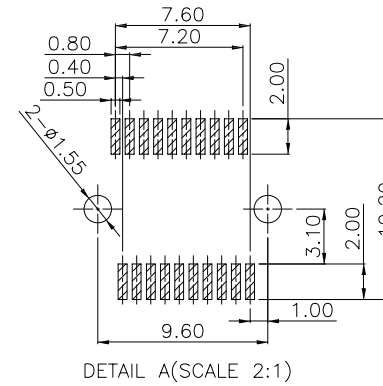


GENERAL TOLERANCE		ANGLE TOLERANCE		PROJECTION		Description:	
X.	±0.60	X.	±5°	UNITS	mm	SFP Cage 1x2 Press-fit	
.X	±0.38	.X	±3°	SHEET SIZE	A4		
.XX	±0.25	.XX	±2°			P/N:	KLS12-SFP-015
Draw by: Date		2016-07-01		KLS ELECTRONIC CO., LTD.			
Check by: Date		2016-07-01					
SCALE		SHEET	OF				

RoHS Compliant



CROSS-HATCHED AREA DENOTES COMPONENT AND TRACE KEEP-OUT



EDGE OF BOARD
RECOMMENDED PCB LAOUT (COMPONENT SIDE)

GENERAL TOLERANCE	ANGLE TOLERANCE	PROJECTION	Description:	
X. ±0.60	X. ±5°	UNITS	mm	
.X ±0.38	.X ±3°	SHEET SIZE	A4	
.XX ±0.25	.XX ±2°		P/N:	KLS12-SFP-015

Draw by: Date	2016-07-01
Check by: Date	2016-07-01
SCALE	SHEET OF

KLS ELECTRONIC CO., LTD.