

# Switch

## DIP Switch Series

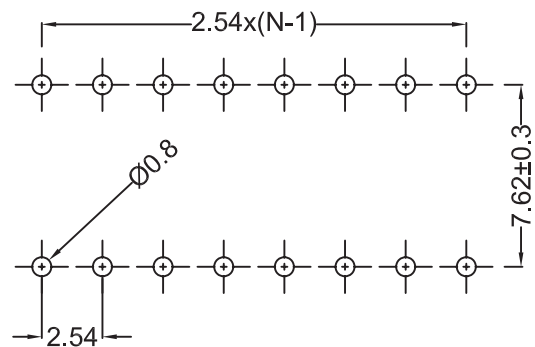
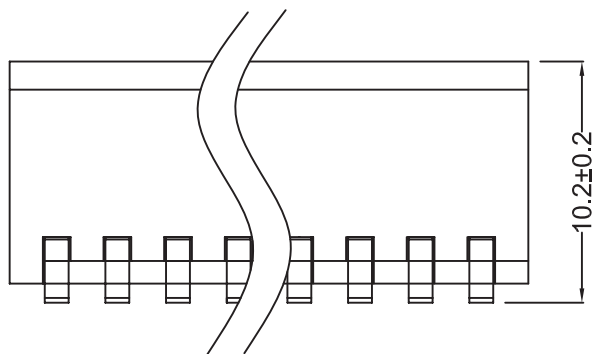
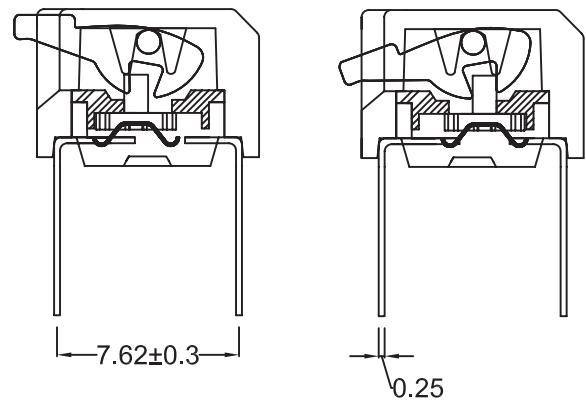
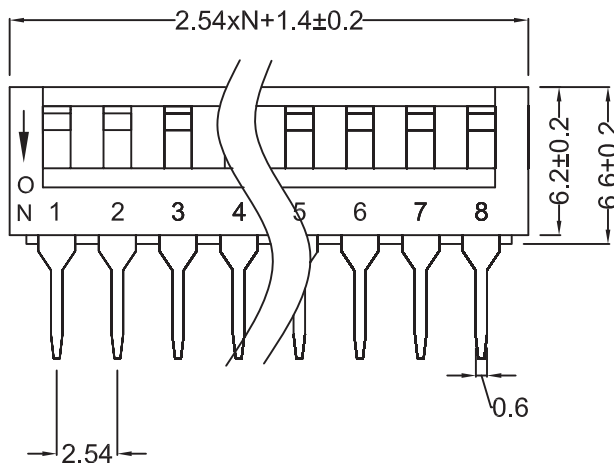
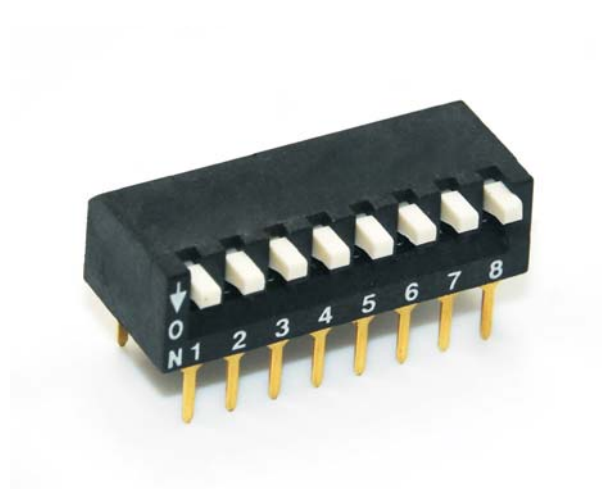
### KLS7-VP 2.54mm Piano Type DIP Switch

#### Specifications

Contact Rating:	25 mA at 24VDC (switching) 100 mA at 50VDC (steady state)
Life:	2,000 cycles
Contact Resistance:	100mΩ Max.
Insulation Resistance:	100MΩ at 100VDC Min
Dielectric Strength:	300VAC Min
Storage Temperature:	-20°C ~ 75°C
Operating Temperature:	-40°C to 85°C
Operation Force:	8N Max.
Resistance to Solder:	240 5°C at 5s

#### Materials

Base & Cover:	PPS (UL94V-0)
Actuator:	PA46 (UL94V-0)
Contacts:	Brass, Gold / Tin Plate
Terminals:	Brass, Gold / Tin Plate



## ORDER INFORMATION

**KLS7-VP-XX-N-00**

Part Number	VP: 2.54mm Piano type Dip Switch	Number of Pos.: 02, 04, 06, 08 Pos.	Color: N=Black	Packaging: 0=Tube 0: Without sealed
-------------	----------------------------------	-------------------------------------	----------------	----------------------------------------