

## ADSL Adapters \* Modular Adapter

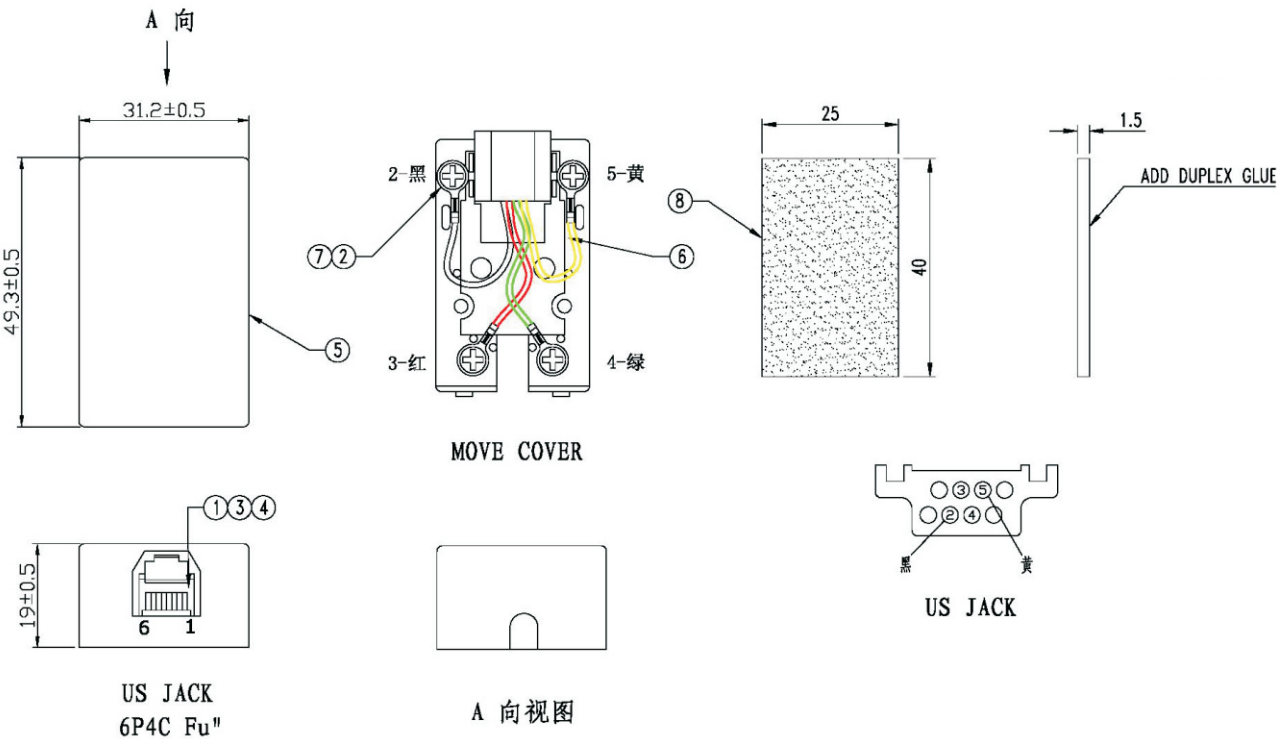
KLS12-187 Surface Mount Telephone Splitter RJ11/RJ12

### MATERIAL

HOUSING: ABS  
CONTACT: PHOSPHOR BRONZE, HARD GOLD  
SHIELDING: 0.25mm THICKNESS COPPER ALLOY WITH TIN PLATED  
GOLD PLATING: 3u INCH, 6u INCH, 15u INCH, 30u INCH, 50u INCH

### ELECTRICAL

CURRENT RATING: 1.5AMPS  
VOLTAGE RATING: 125VAC  
WITHSTANDING VOLTAGE: AC1000V RMS 50Hz or 60Hz 1Min  
INSULATION RESISTANCE: 100MEGOHMS MIN  
CONTACT RESISTANCE: 39MILLMHOS MAX  
WORKING TEMPERATURE : -35°C ~80°C



## ORDER INFORMATION

KLS12-187-6P4C

Pos.NO.

Pin