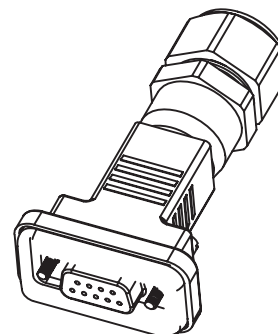
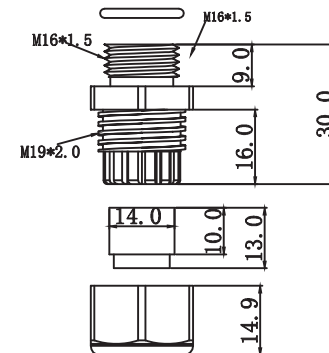
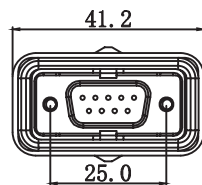
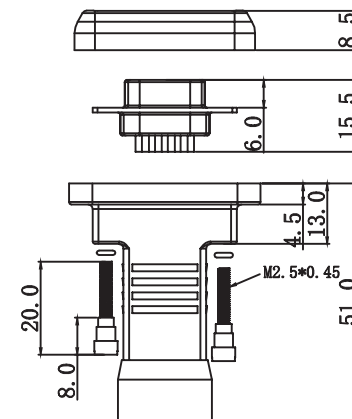
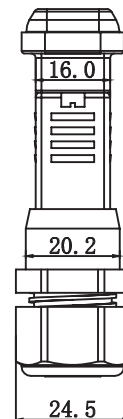
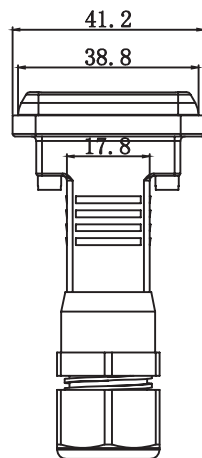
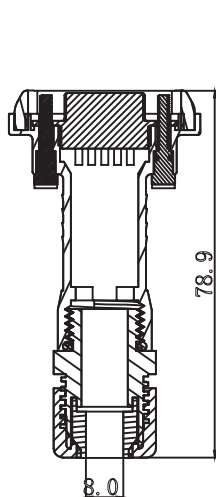
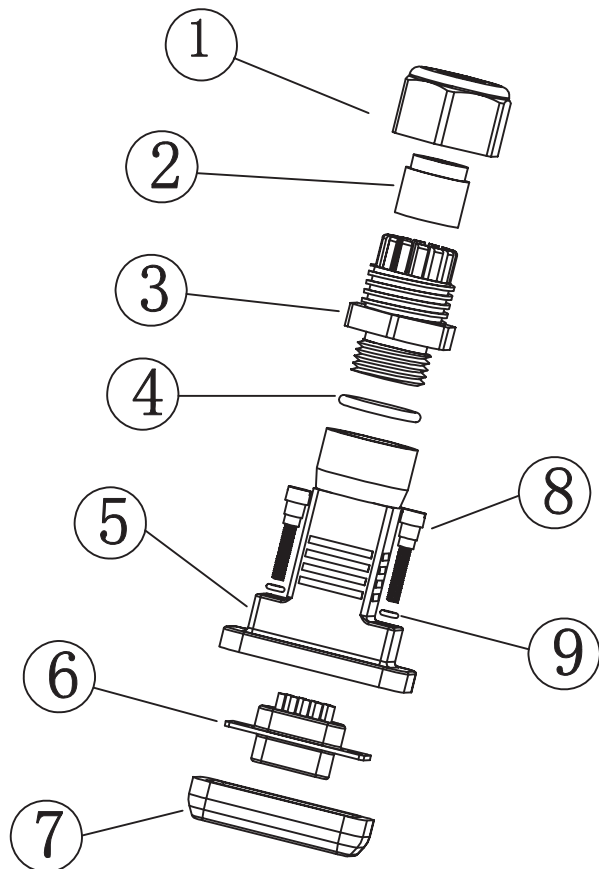


UNTOLERANCED DIMENSIONS

X. XX	±0.05	R25 < R < R50	±0.3
X. X	±0.10	R50 < R < R100	±0.5
X. X°	±1.0°	R100 < R < R200	±1.0
D. A.	-1.0° /S	R200 < R < R500	±10.0



NOTE:

Waterproof Rate: IP 68

1\*Sealing Nut Black ,Nylon

2\* Seals Black EPDM

3\* Body Black Nylon+GF

4\* O-Ring Silicone

5\* Housing Black Nylon+GF



6\* Female Connector

7\* Gasket Red Silicone

8\* Screw steel Nickel plated

9\* O-Ring silicone

10\*Pins Copper Alloy Gold Plated or Nickel Plated

							
				<b>KLS ELECTRONIC CO.,LTD.</b>			
2012.9.13	A			Date		Contend	ECN
				revision			
		SIZE		Dawing number: _____		Product name : KLS1-129	
THIRD-ANGLE		A4		Material Numbers		Component name: _____	
Unite	mm	METRIC		Material:		Surface color: ---	
UNLESS OTHERWISE SPECIFIED :				thickness:		scale: Free quantity: _____	
- SHARP CORNERS RO.5/CO.5				SHT 1 OF 1		drawing	
- BURR FREE				2012.9.13		: examine and verify: _____	