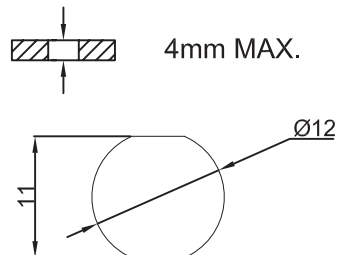
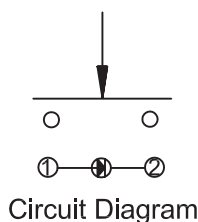
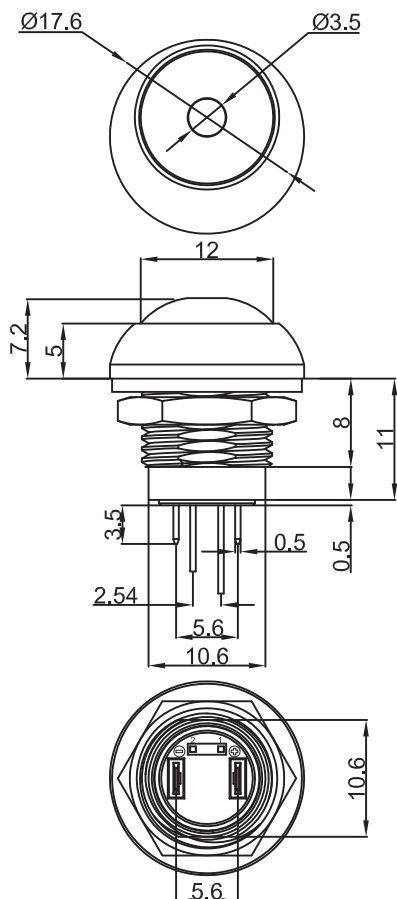
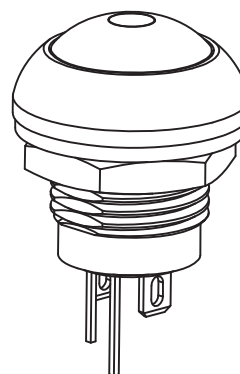


## Push Button Switches

L-KLS7-PB12-2-M-RB-R Push Button Switches

### SPECIFICATIONS

Circuit	:SPDT
Current rating	:2A
Voltage rating	:250VAC
Dielectric withstanding voltage	:1000VAC for 1 minute
Contact resistance	:50mΩ Max
Insulation resistance	:100MΩ Min
Travel	:1.5mm± 0.5mm
Operating Force	:400± 150gf
Operating life	:200,000 cycles Min
Solder specifications	:260° C for 5 seconds
Function	:Momentary
Operating temperature	:-20° C ~ +85° C



### PANEL MOUNTING

B	黑色	O	橘色
W	白色	W	白色
U	蓝色	U	蓝色
G	绿色	G	绿色
R	红色	R	红色
上盖颜色 X Cap color X		LED颜色 Y LED color Y	

## ORDER INFORMATION

Product NO.:L-KLS7-PB12-2-M-RB-R

