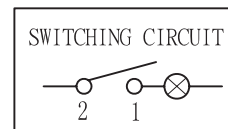
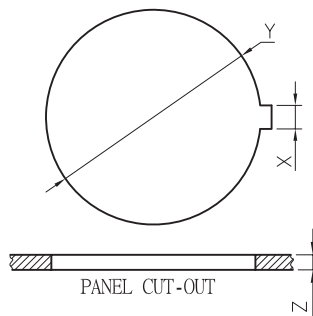
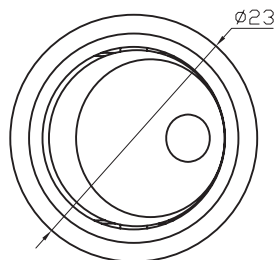
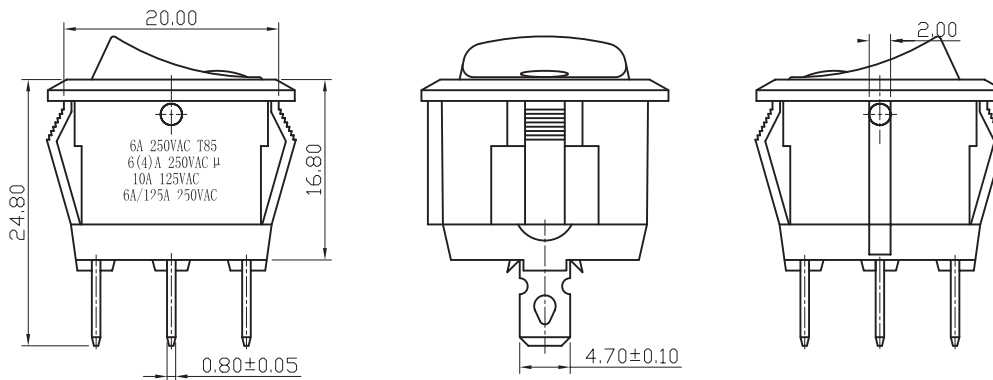


Rocker Switches

KLS7-026 Rocker Switches

ELECTRICAL

1. Electrical Rating: 6A 250V AC T85
6A 125V 250VAC
2. Circuit Diagram: 3P ON-OFF
3. Terminal Strength: $\geq 80N$
4. Electrical life: ≥ 10000 Cycles
5. Withstand Voltage: 1800VAC 1min
6. Terminals to button: 3000VAC 1min
7. Leakage Current: 1mA
8. Contact Resistance: $\leq 50m\Omega$ (initial)
9. Insulation Resistance: $\geq 100M\Omega$



PANEL CUT-OUT		
Z	Y	X
0.70~1.25	20.00~20.10	2.10~2.20
1.25~2.00	20.10~20.20	2.10~2.20
2.00~3.00	20.20~20.30	2.10~2.20

ORDER INFORMATION

Product NO.: L-KLS7-026-101N171A1A1-4A

Series No.

Poles
1: Single Pole

Function
01: ON-OFF
02: ON-ON
03: ON-OFF-ON

Lamp
0: Lamp Not
N: 220V Neon
Lamp

Marking

1	□
2	□
3	□
4	□

Color
Cap/Housing
gray

Current
4A