

Metallic Cable Glands

KLS8-0615N NPT Type Metallic Cable Glands

Material: Brass with nickel plated

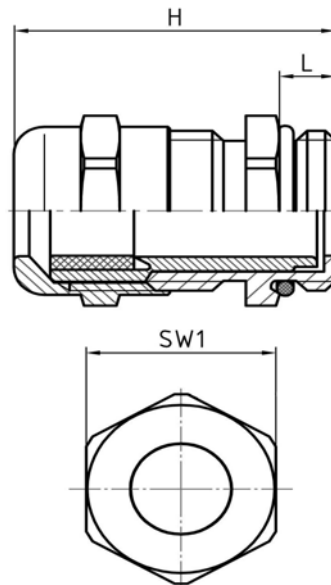
Claw: Nylon plastic(PA), UL94-V2

Sealing: NBR

O-Sealing ring: NBR

Protection Class: IP68 (the wire/cable is in clamping range,
and assemble O-Ring on the groove)

Range of temperature: -40°C~100°C



Item No.	Cable Range > Ø < (mm)	Outer diameter of thread (mm)	Mounting hole diameter (mm)	Thread length L(mm)	Joint length H(mm)	Wrench diameter (MM)
NPT1/4	3-6.5	13.7	13.7~14	8	18	14
NPT3/8	4-8	17	17~17.3	15	20	18
NPT1/2	6-12	21.2	21.2~21.5	13	22	22
NPT3/4	13-18	26.2	26.6~26.9	15	25	30
NPT1	18-25	33.3	33.3~33.6	16	30	40
NPT1_1/4	22-32	42	42~42.3	18	35	50
NPT1_1/2	32-38	48	48~48.3	18	38	57
NPT2	37-44	60	60~60.3	18	40	64

Oder Information

KLS8-0615N-NPT1/4

0615N: NPT Type Metallic Cable Glands

NPT1/4: Item No.