

Slide Switches Series

L-KLS7-SS-12F19-G5

Slide switch (1P2T) , Rohs

VII

SPECIFICATIONS

Rating: 0.5A 50 VDC

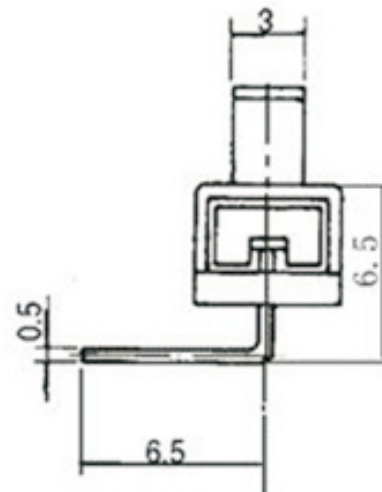
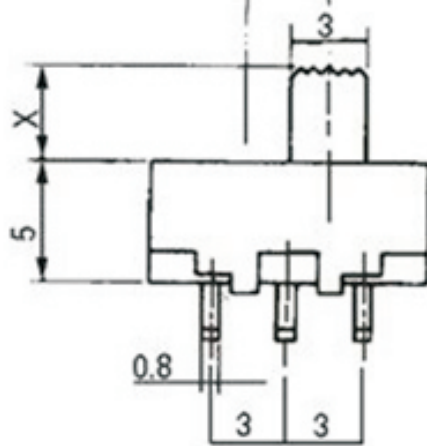
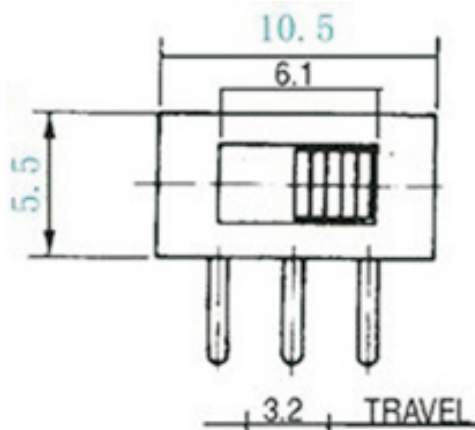
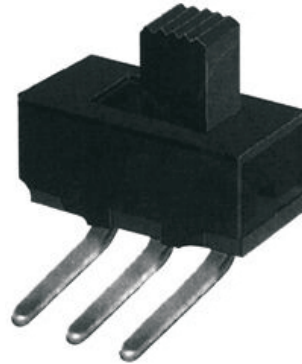
Contact Resistance: 50MΩ max

Insulation Resistance:500VDC 100MΩ Min

Dielectric Strength:100V AC 1 Minute

Operating Force:100gf~800gf

Electrical Life :10,000 cycles



ORDER INFORMATION

L-KLS7-SS-12F19-G5

Part Number

Sequence number

Slide switch