

## Coin Cell Holders

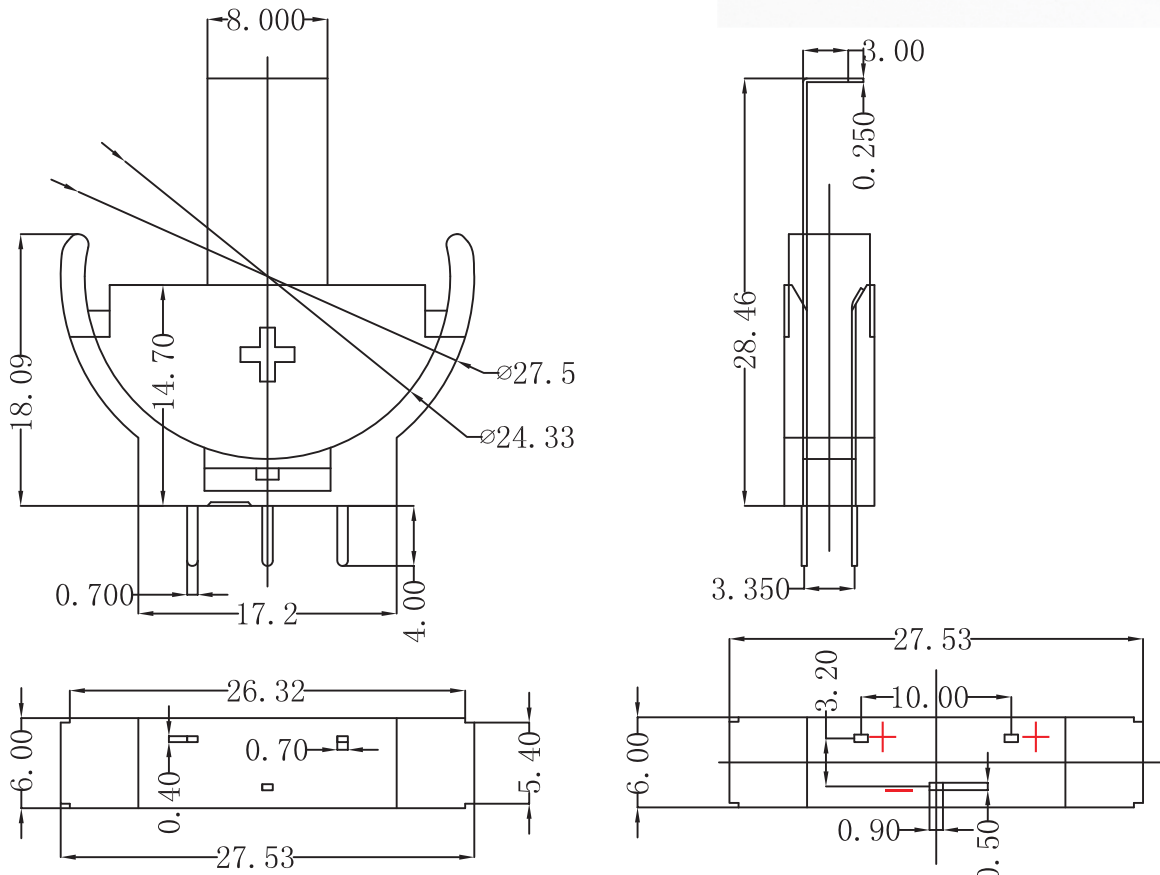
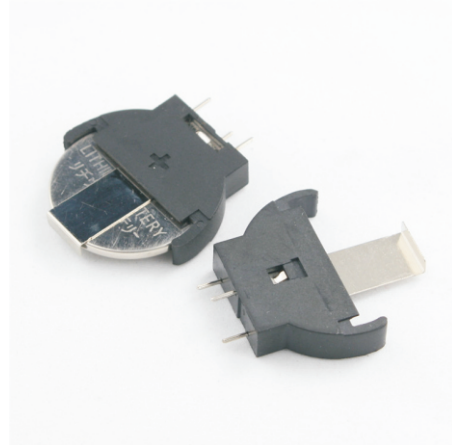
KLS5-CR2430-03 DIP 90°, CR2430 Coin Battery Holder

**Material:**

Housing: PA66  
Contacts: Phosphor Bronze, Tinning

**Electrical Characteristics:**

Insulator Resistance: 1000M Ohm min.  
Contact Resistance: 30m Ohm max.  
Dielectric voltage: 500V AC  
Operating Temperature: -25°C~+85°C



PCB Layout Diagram  
Top View

## ORDER INFORMATION

Product NO.: KLS5-CR2430-03

