

## Coin Cell Holders

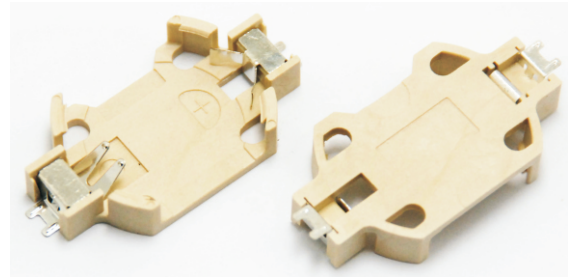
KLS5-CR2032-23-B SMT,CR2032 Coin Battery Holder

### Material:

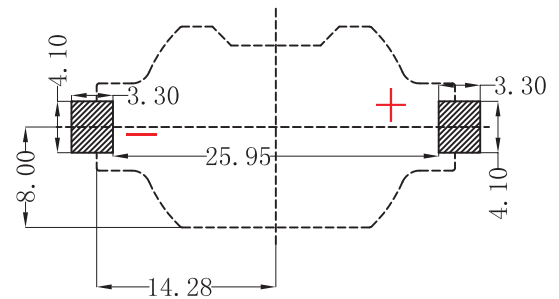
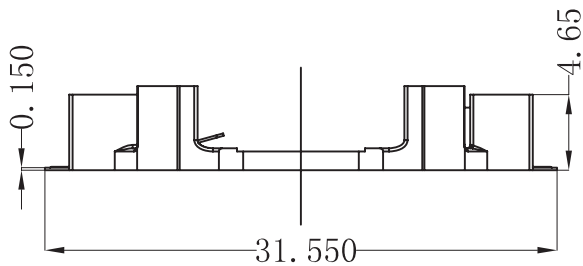
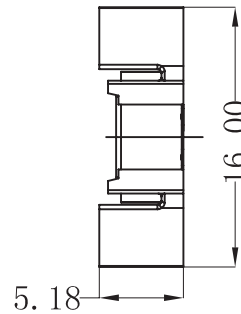
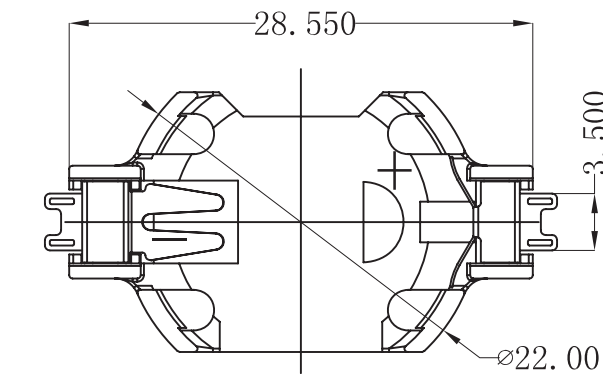
Housing: LCP  
Contacts: Phosphor Bronze, Gold-plated

### Electrical Characteristics:

Insulator Resistance: 1000M Ohm min.  
Contact Resistance: 30m Ohm max.  
Dielectric voltage: 500V AC  
Operating Temperature: -25°C~+85°C



I



PCB Layout Diagram  
Top View

## ORDER INFORMATION

Product NO.: KLS5-CR2032-23-B-R

