

Coin Cell Holders

KLS5-CR2032-15 CR2032 Coin Battery Holder

Material:

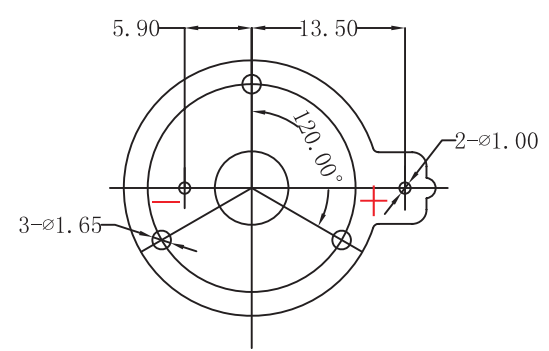
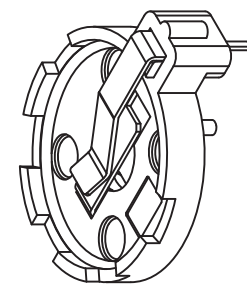
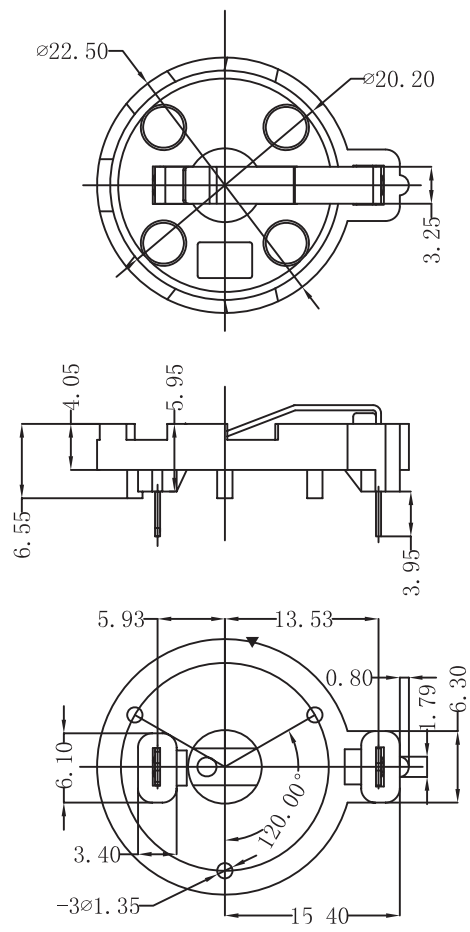
Housing: PBT
Contacts: Steel; Nickel plated

Electrical Characteristics:

Insulator Resistance: 1000M Ohm min.
Contact Resistance: 30m Ohm max.
Dielectric voltage: 500V AC
Operating Temperature: -25°C~+85°C



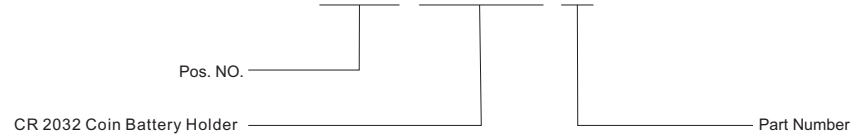
I



PCB Layout Diagram
Top View

ORDER INFORMATION

Product NO.: KLS5-CR2032-15



All specification & dimensions are subject to change, please call your nearest KLS sales representative for update information