

Coin Cell Holders

KLS5-CR2032-13 CR2032 Coin Battery Holder

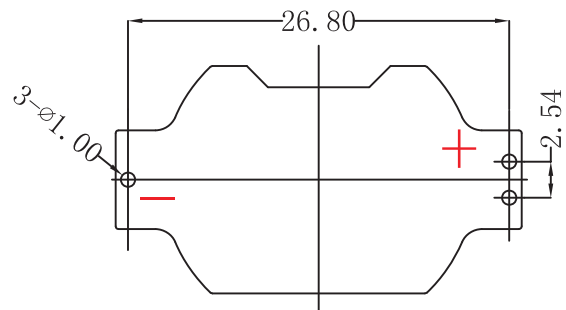
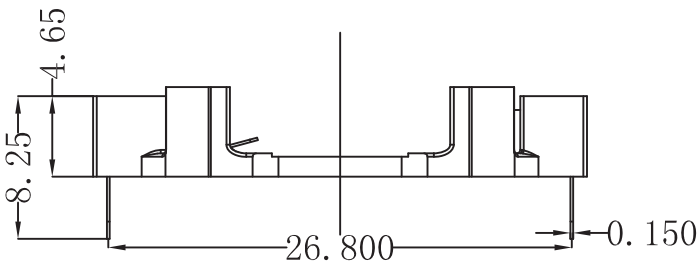
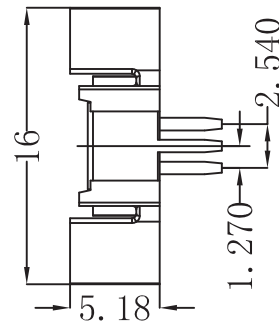
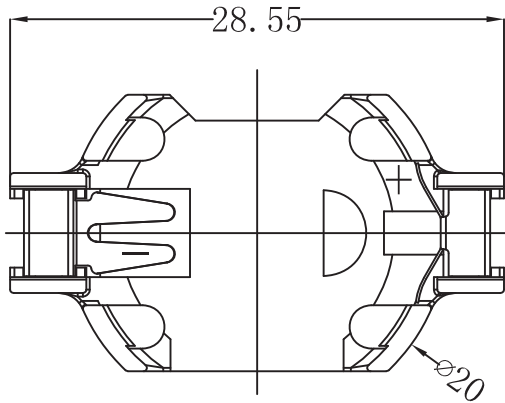
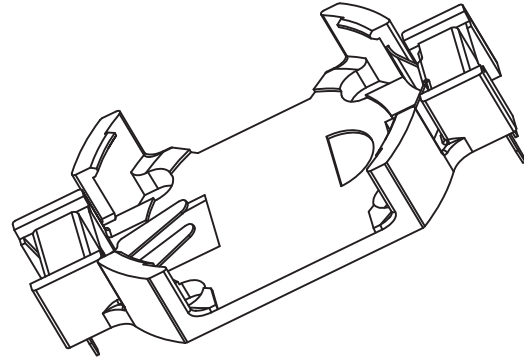
I

Material:

Housing: LCP
Contacts: Phosphor Bronze, Gold-plated

Electrical Characteristics:

Insulator Resistance: 1000M Ohm min.
Contact Resistance: 30m Ohm max.
Dielectric voltage: 500V AC
Operating Temperature: -25°C~+85°C



PCB Layout Diagram

Top View

ORDER INFORMATION

Product NO.: KLS5-CR2032-13

