

Coin Cell Holders

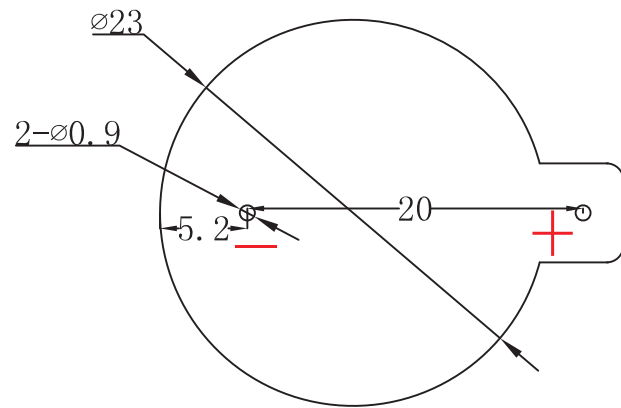
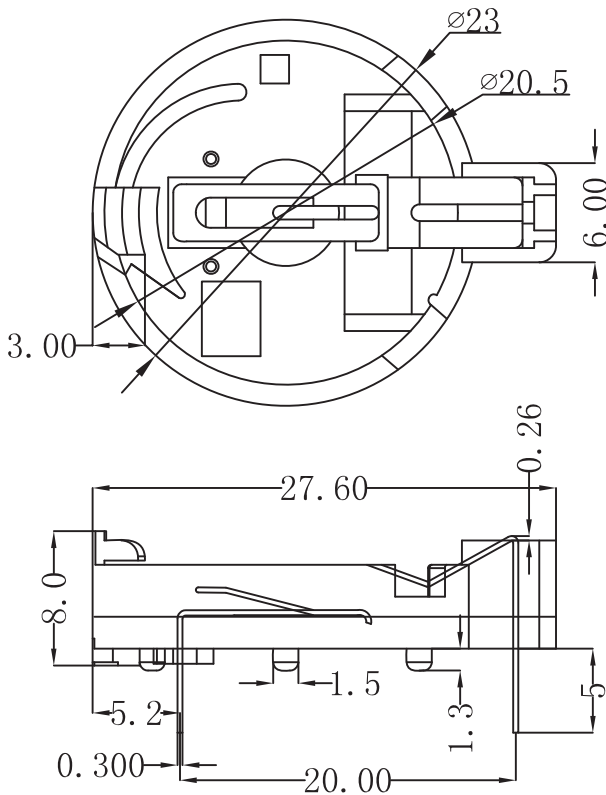
KLS5-CR2032-10 DIP 90° CR2032 Coin Battery Holder

Material:

Housing: PBT
Contacts: Brass, Tinning

Electrical Characteristics:

Insulator Resistance: 1000M Ohm min.
Contact Resistance: 30m Ohm max.
Dielectric voltage: 500V AC
Operating Temperature: -25°C~+85°C



PCB Layout Diagram
Top View

ORDER INFORMATION

Product NO.: KLS5-CR2032-10

