

## Coin Cell Holders

KLS5-CR2032-06 DIP 90° CR2032 Coin Battery Holder

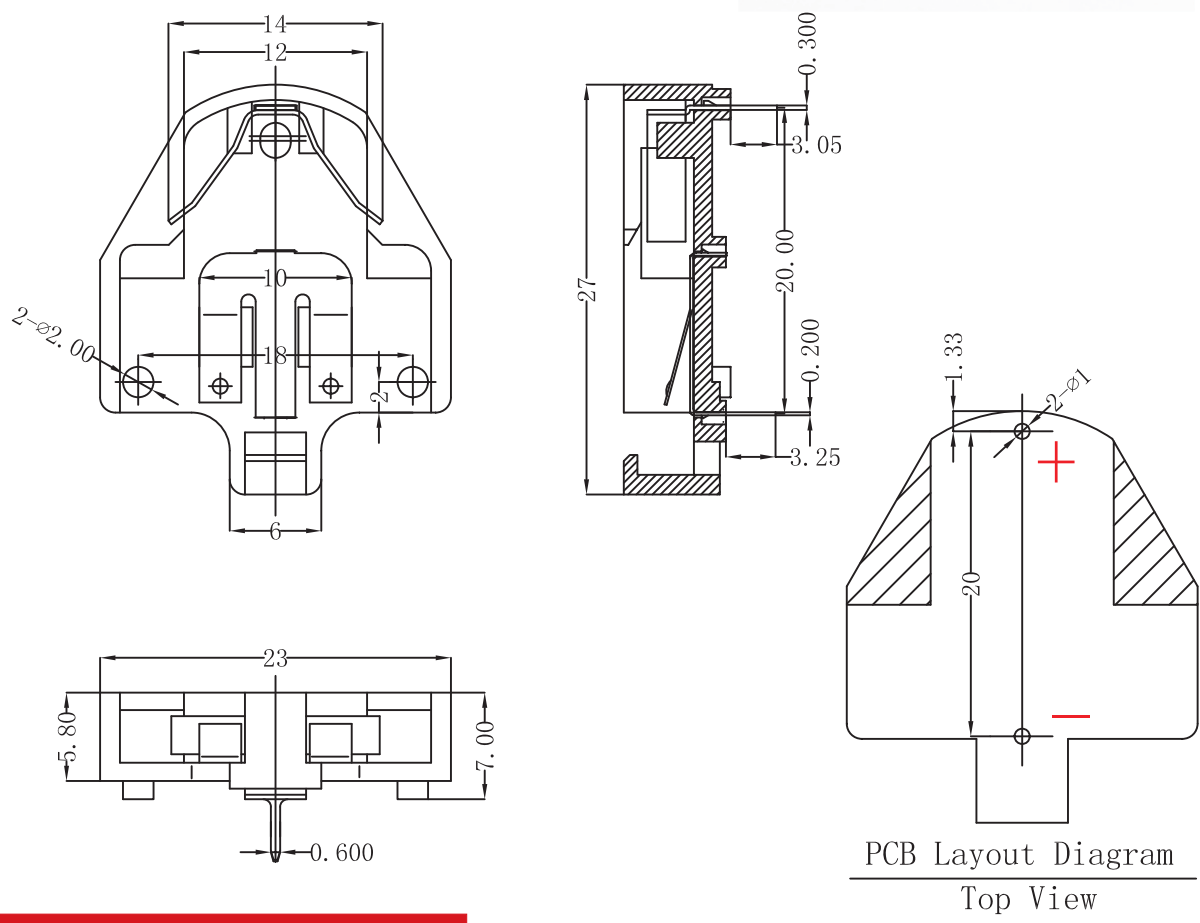
I

**Material:**

Housing: PBT  
Contacts: Phosphor Copper, Nickel plating

**Electrical Characteristics:**

Insulator Resistance: 1000M Ohm min.  
Contact Resistance: 30m Ohm max.  
Dielectric voltage: 500V AC  
Operating Temperature: -25°C~+85°C



## ORDER INFORMATION

Product NO.: KLS5-CR2032-06

