

## Coin Cell Holders

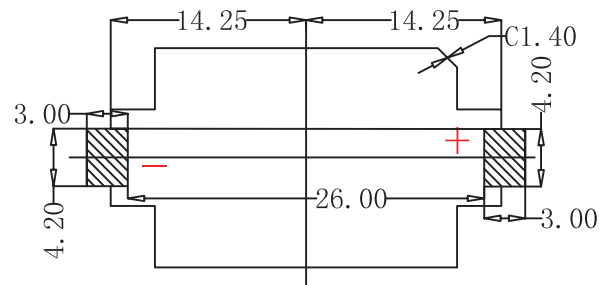
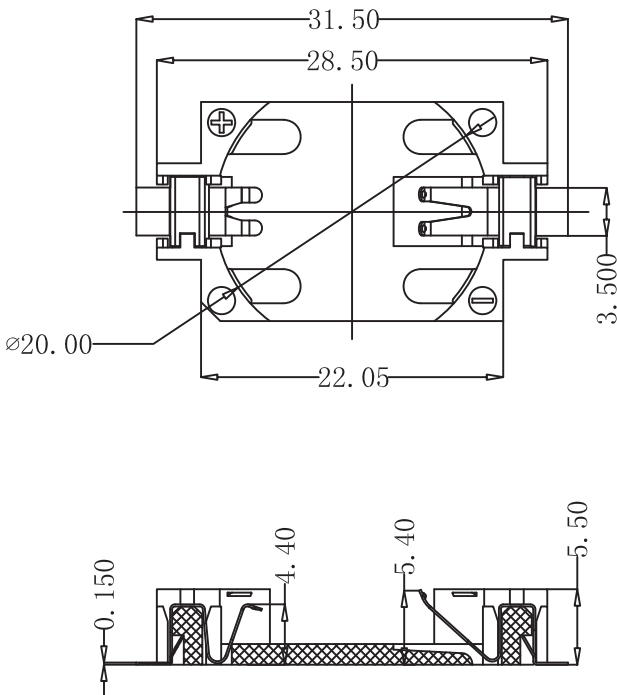
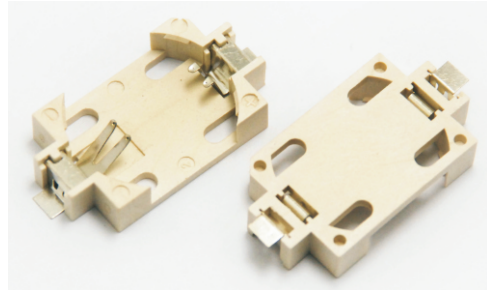
KLS5-CR2032-05A SMT,CR2032 Coin Battery Holder

**Material:**

Housing: LCP  
Contacts: Phosphor Bronze, Gold-plated 1 u"

**Electrical Characteristics:**

Insulator Resistance: 1000M Ohm min.  
Contact Resistance: 30m Ohm max.  
Dielectric voltage: 500V AC  
Operating Temperature: -25°C~+85°C



PCB Layout Diagram  
Top View

## ORDER INFORMATION

Product NO.: KLS5-CR2032-05A-R

