

## Coin Cell Holders

KLS5-CR2032-02 DIP 90° CR2032 Coin Battery Holder

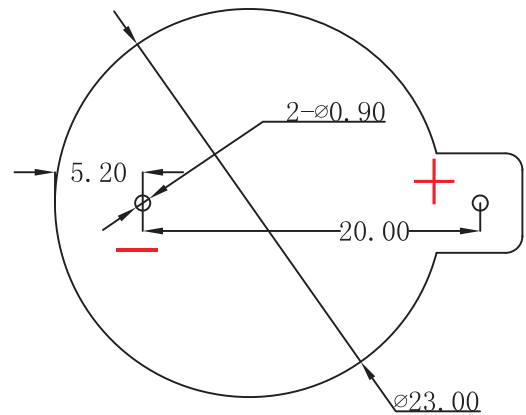
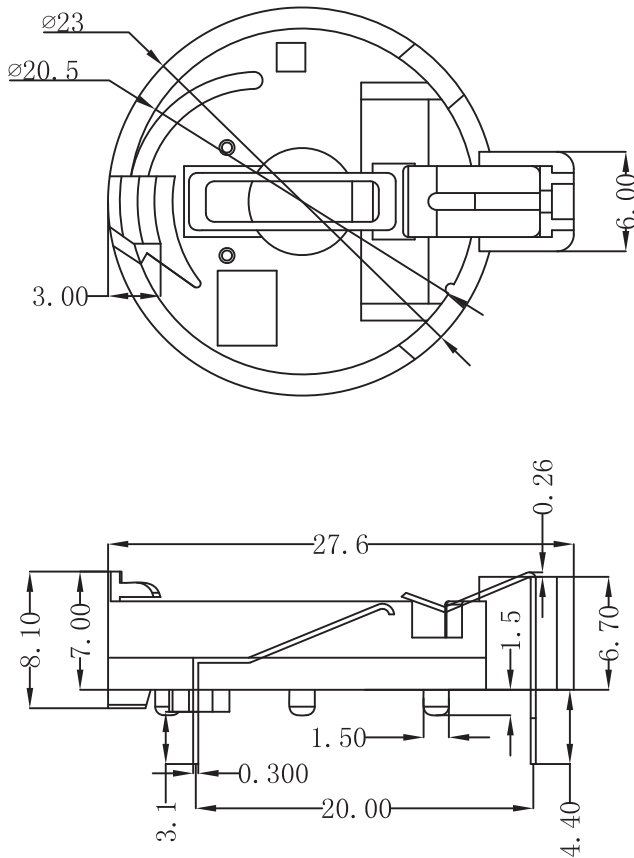
I

**Material:**

Housing: PBT  
Contacts: Brass, Tinning

**Electrical Characteristics:**

Insulator Resistance: 1000M Ohm min.  
Contact Resistance: 30m Ohm max.  
Dielectric voltage: 500V AC  
Operating Temperature: -25°C~+85°C



PCB Layout Diagram

Top View

## ORDER INFORMATION

Product NO.: KLS5-CR2032-02

