

## Coin Cell Holders

KLS5-CR2016-01 SMT 180°, CR2016 Coin Battery Holder

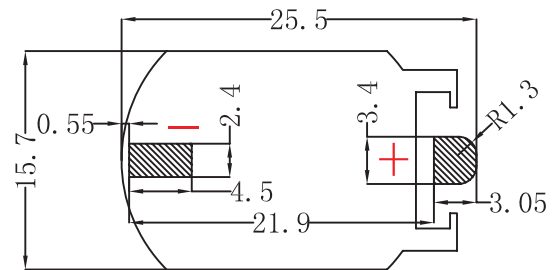
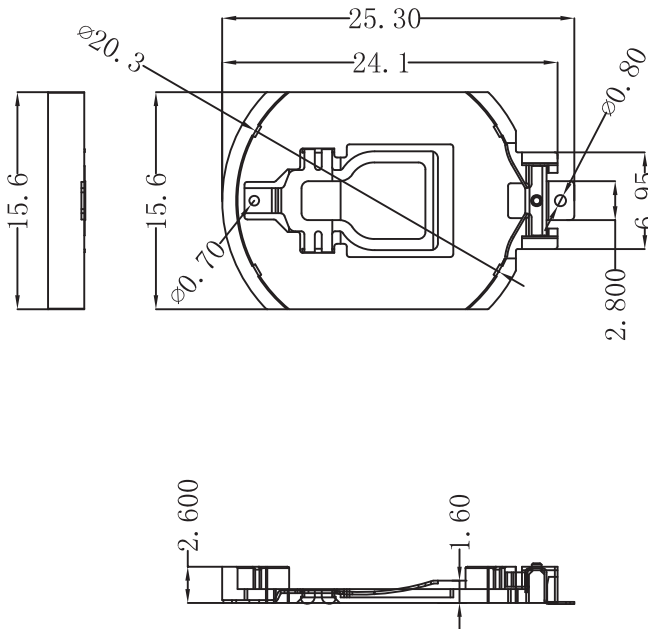
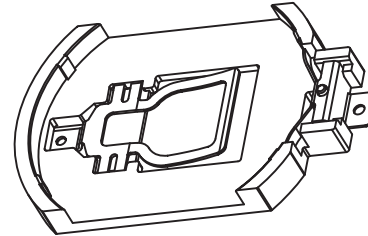


**Material:**

Housing: PPA  
Contacts: Phosphor Copper, Gold-plated 1u"

**Electrical Characteristics:**

Insulator Resistance: 1000M Ohm min.  
Contact Resistance: 30m Ohm max.  
Dielectric voltage: 500V AC  
Operating Temperature: -25°C~+85°C



PCB Layout Diagram  
Top View

## ORDER INFORMATION

Product NO.: KLS5-CR2016-01-R

