

## Coin Cell Holders

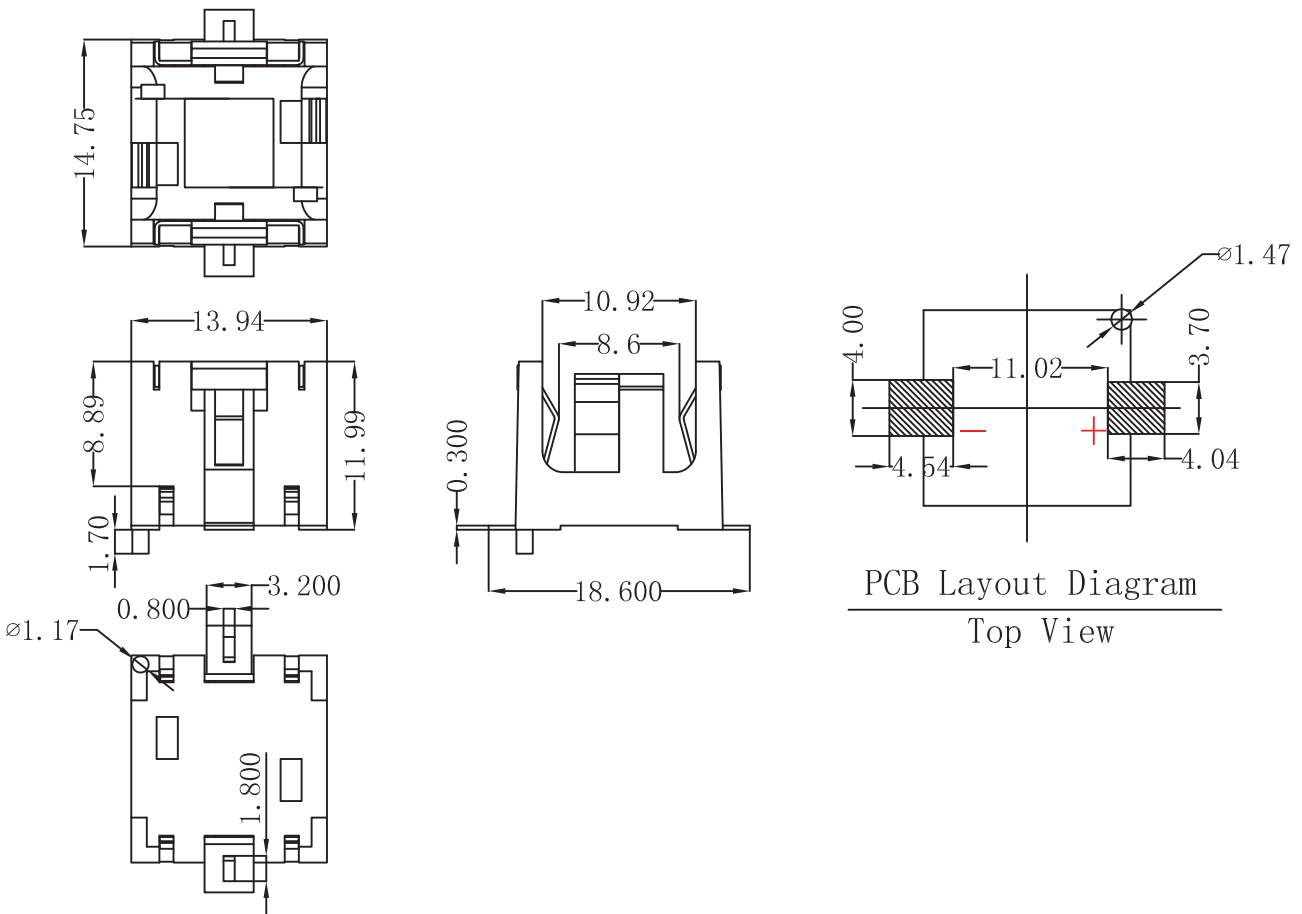
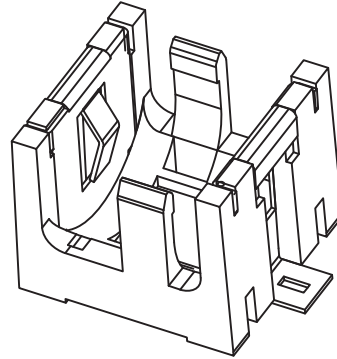
KLS5-AG13-01 SMT 180° Type, Battery seat

**Material:**

Housing: PPA  
Contacts: Phosphor Bronze, Gold-plated 1u"

**Electrical Characteristics:**

Insulator Resistance: 1000M Ohm min.  
Contact Resistance: 30m Ohm max.  
Dielectric voltage: 500V AC  
Operating Temperature: -25°C~+85°C



## ORDER INFORMATION

Product NO.: KLS5-AG13-01-R

