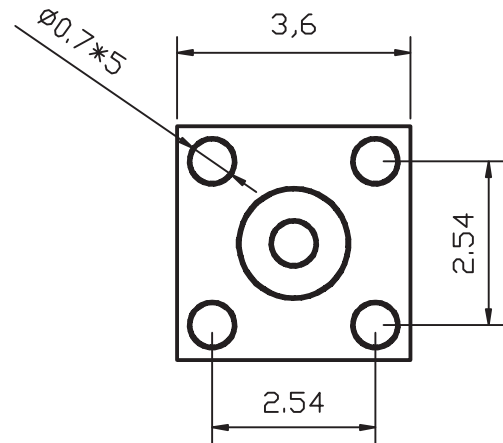
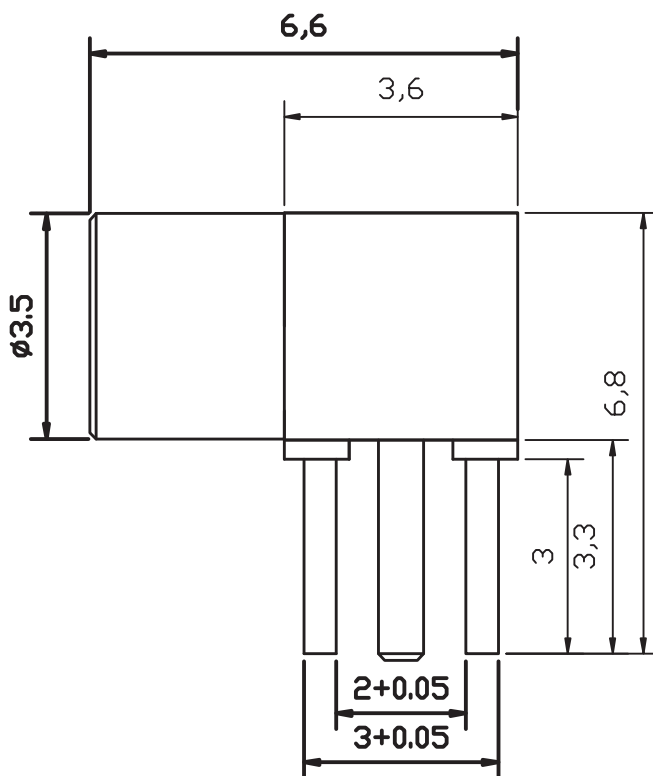


## MMCX Connectors

KLS1-MMCX004 Miniature Microax RF Coaxial Connectors

### Electrical Specifications:

- Impedance:50Ω
- Frequency Range:DC~6GHz
- Working Voltage:170V max
- Withstand Voltage:500V rms
- Contact resistance
- Center Contact:≤5 mΩ
- Outer Contact:≤2.5 mΩ
- Insulation resistance:≥1000 MΩ
- VSWR Straight:≤1.15
- Right angle:≤1.25
- Temp range:-55~+155°C
- Durability(mating):≥500 (cycles)



## ORDER INFORMATION

Product NO.: KLS1-MMCX004

Pos. NO.

MMCX Connector Type