

Mini Microphone

Omni-direction mini microphone MM4015-High Sensitivity Serie

Specifications:

Sensitivity(1KHz,0dB=1V/Pa):-32±3dB ; -34±3dB; -36±3dB; -38±3dB

Directivity:Omni-directional

Impedance:2.2KΩ Max.

Current consumption:0.5mA Max.

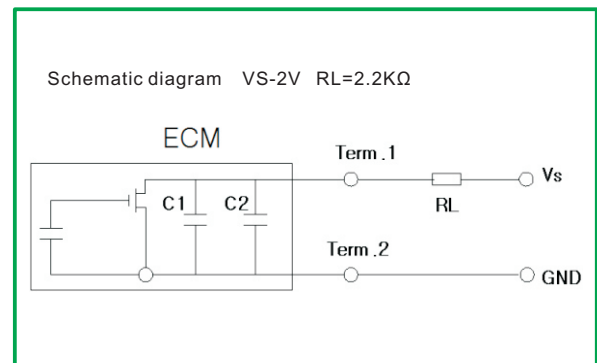
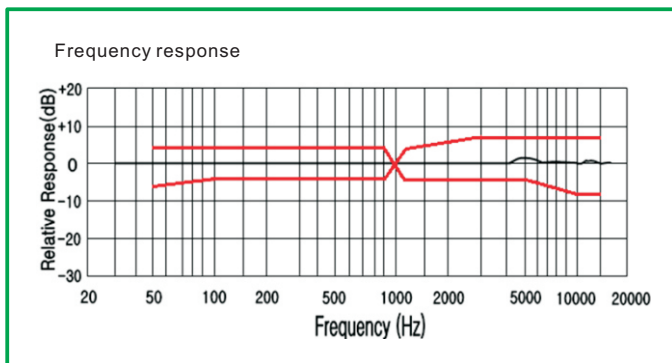
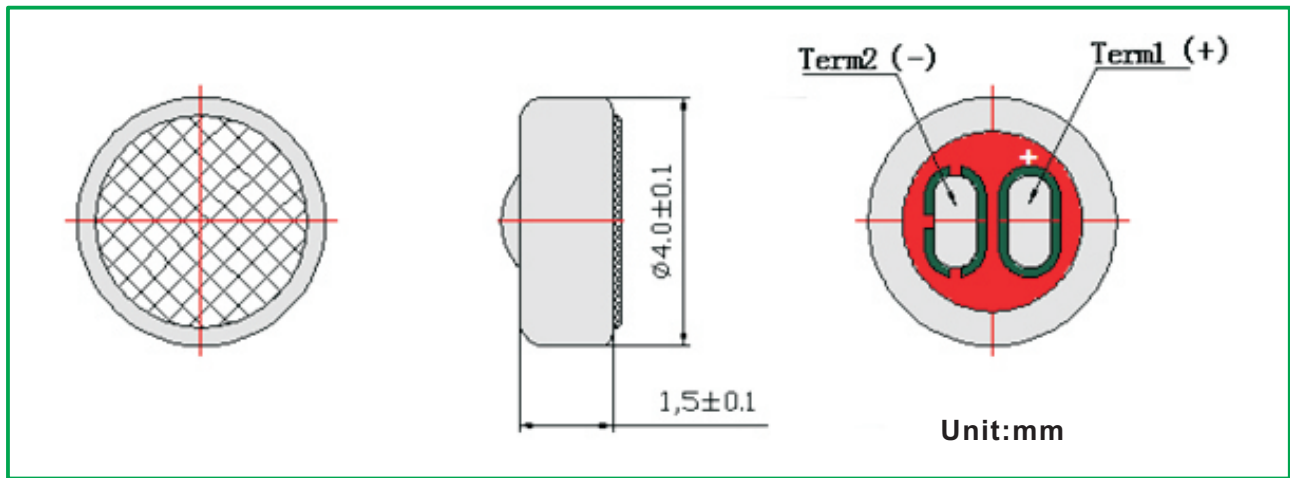
Operation voltage:1.0~10V

S/N ratio:60dB Min.

Sensitivity vs. Voltage:3dB Max. at VS=2.0V~1.5V

Std. Test Condition:94dB S.P.L @1KHz VS=2.0V

Frequency:20~16,000Hz



ORDER INFORMATION

Product NO.: **KLS3 - MM 4015 P - 323**

- Omni-Direction mini microphone Series
- Dimensions
- Note: Soldering
- P: Pin Type
- W: Wire type
- Sensitivity