

## Push Button Switches

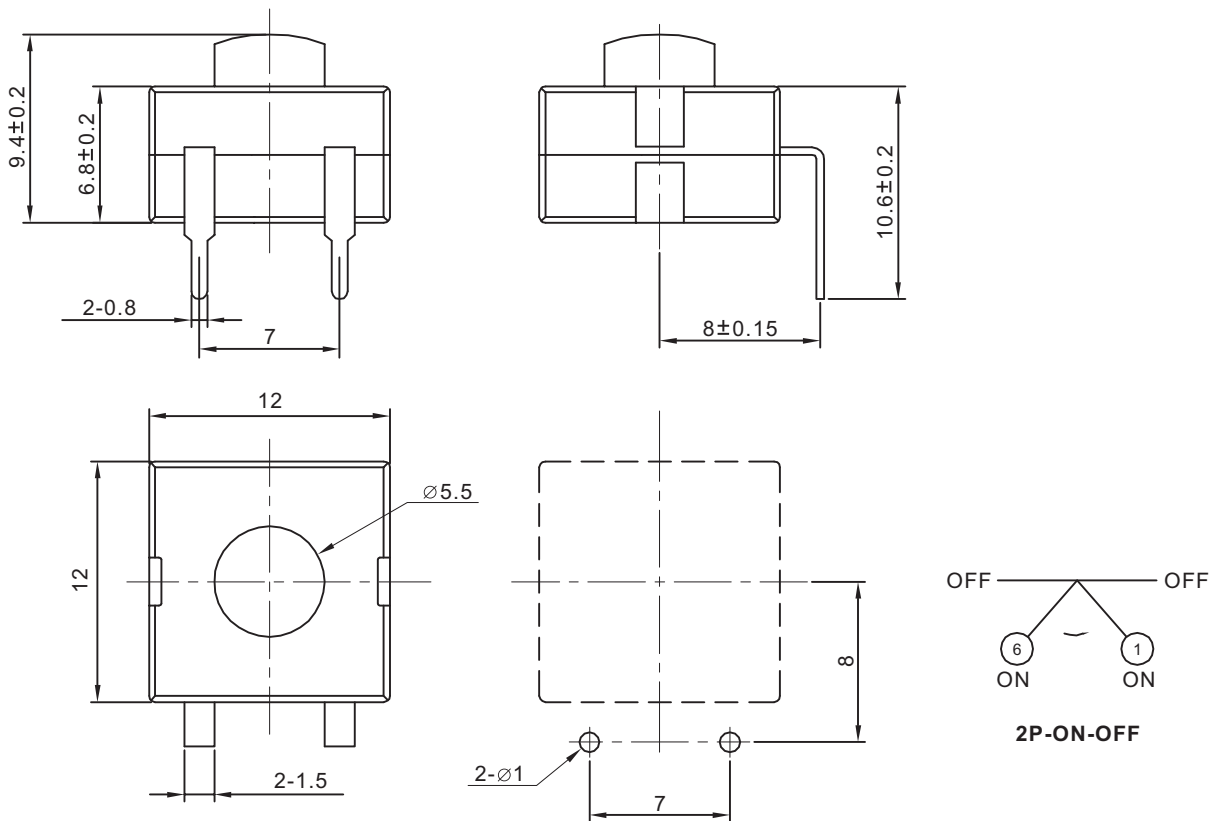
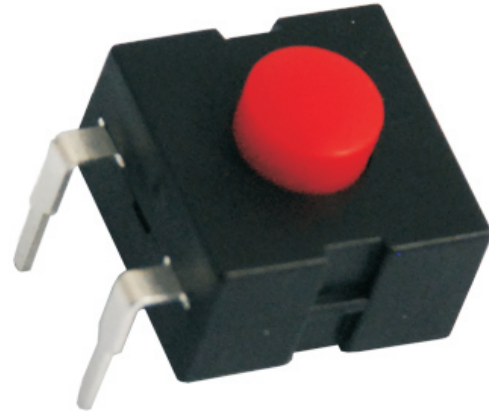
### KLS7-KAN8F-213 Push Button Switches

**Electrical:**

1. Rated load: 0.5A 50V DC
2. Contact Resistance:  $\leq 100m\Omega$
3. Insulation Resistance:  $\geq 100M\Omega$
4. Withstand Voltage: 500V AC 1minute
5. Actuating Force:  $750g \pm 50g$
6. Electrically Life:  $\geq 50000$  cycles
7. Environment temperature:  $-40^{\circ}C \sim +70^{\circ}C$

**Materials:**

1. Base: POM
2. Cover: POM
3. Upper teeth: POM
4. Bottom teeth: POM
5. The needle: H62 brass band  $Y1 = 0.38mm$
6. Short Needle: H62 brass band  $Y1 = 0.38mm$
7. Contact sheet: H65 brass band  $TM = 0.3mm$



## ORDER INFORMATION

Product NO.: KLS7-KAN8F-213

Part Number

Serial Number