

Push Button Switches

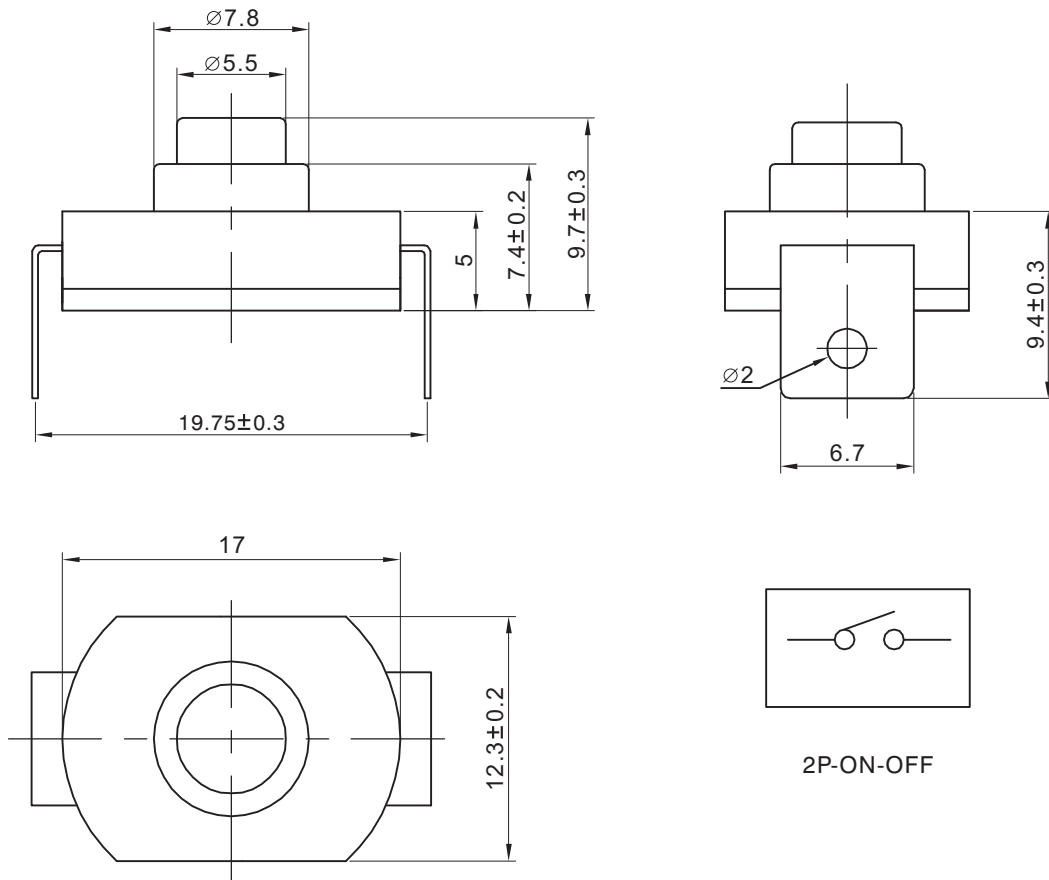
KLS7-KAN8-105 Push Button Switches

Electrical:

1. Rated load: 1.5A 250V AC
2. Contact Resistance: $\leq 50m\Omega$
3. Insulation Resistance: $\geq 100M\Omega$
4. Withstand Voltage: 500V AC 1minute
5. Actuating Force: $750g \pm 50g$
6. Electrically Life: ≥ 50000 cycles
7. Environment temperature: $-40^{\circ}C \sim +70^{\circ}C$

Materials:

1. Base: POM
2. Cover: POM
3. Upper teeth: POM
4. Bottom teeth: POM
6. Contact: H65 brass band $TM = 0.3mm$
7. Vertical needle: H62 brass band $Y1 = 0.28mm$



ORDER INFORMATION

Product NO.: KLS7-KAN8-105

