

## Push Button Switches

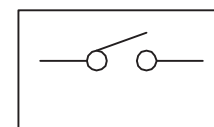
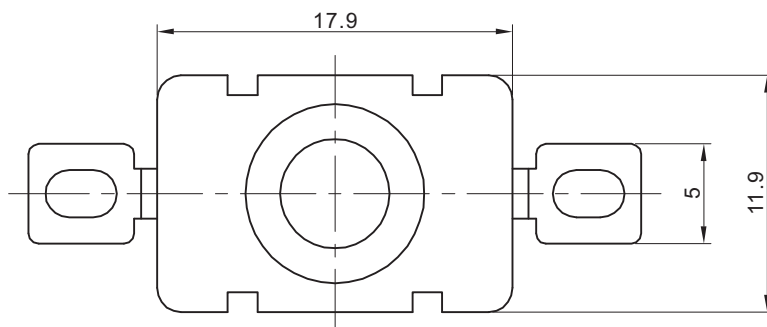
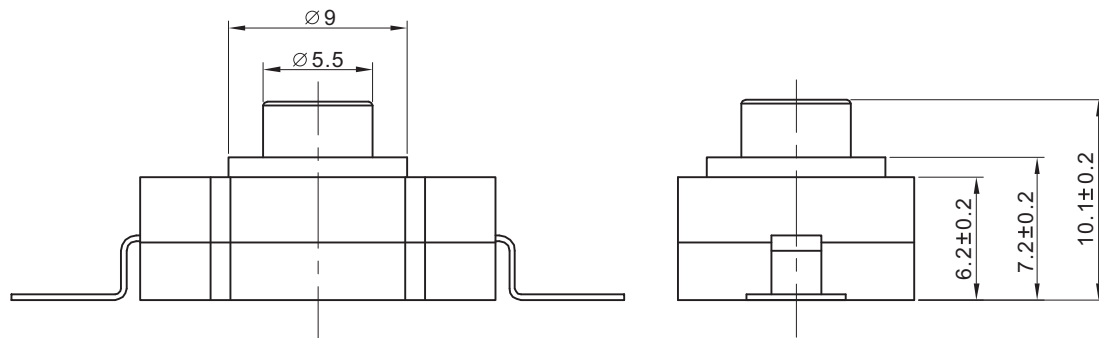
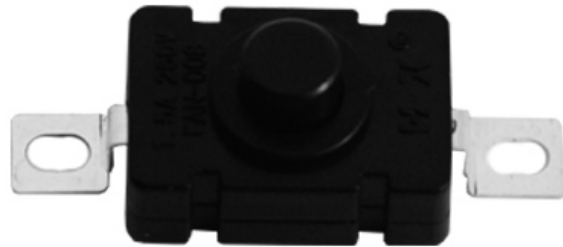
### KLS7-KAN8-008 Push Button Switches

#### Electrical:

1. Rated load: 1.5A 250V AC
2. Contact Resistance:  $\leq 50\text{m}\Omega$
3. Insulation Resistance:  $\geq 100\text{M}\Omega$
4. Withstand Voltage: 500V AC 1minute
5. Actuating Force:  $750\text{g} \pm 50\text{g}$
6. Electrically Life:  $\geq 50000$  cycles
7. Environment temperature:  $-40^{\circ}\text{C} \sim +70^{\circ}\text{C}$

#### Materials:

1. Base: POM
2. Cover: POM
3. Upper teeth: POM
4. Bottom teeth: POM
6. Contact: H65 brass band  $\text{TM} = 0.3\text{mm}$
7. Horizontal needle: H62 brass band  $\text{Y1} = 0.28\text{mm}$



2P-ON-OFF

## ORDER INFORMATION

Product NO.: KLS7-KAN8-008

Part Number

Serial Number