

## Mini Din Connectors\* Din Connectors

KLS1-293A-10.0-3P DS Terminal Series

**Material:**

Base:PBT UL 94V-0

Contact:H62 Brass

**Environmental:**

Operating Temperature:-22 C ~ + 70 C

**Electrical:**

Rated Load:DC 30V 2A

Dielectric Withstanding:AC250V(50Hz)/min

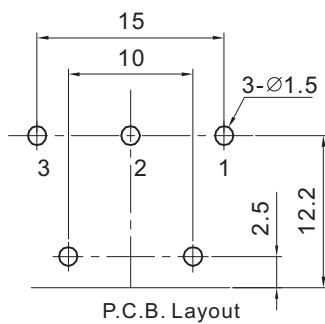
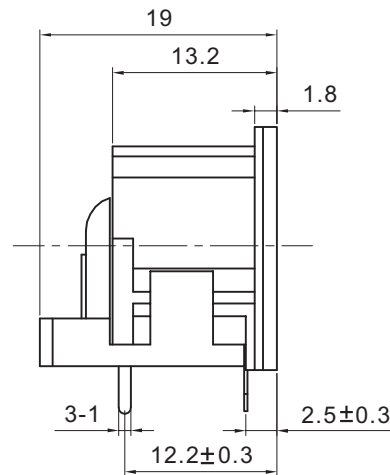
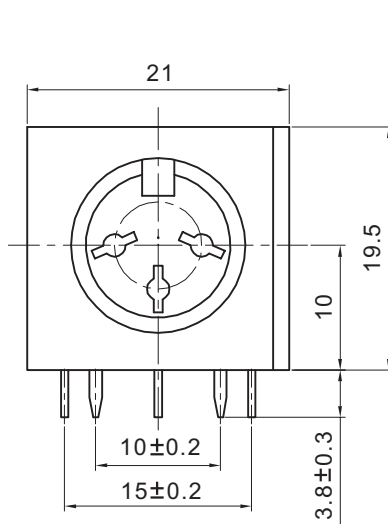
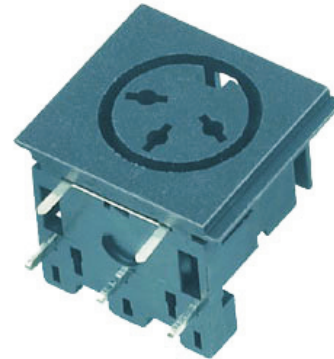
Insulation Resistance: $\geq 100M\Omega$

CONTACT RESISTANCE: $\leq 0.03\Omega$

Insertion and Extraction Force:5-35N

Life:5000

I



## ORDER INFORMATION

Product NO.: KLS1-293A-10.0-3P



## Mini Din Connectors\* Din Connectors

KLS1-293A-10.0-4P DS Terminal Series

**Material:**

Base:PBT UL 94V-0

Contact:H62 Brass

**Environmental:**

Operating Temperature:-25 C ~ + 70 C

**Electrical:**

Rated Load:2A 100V AC

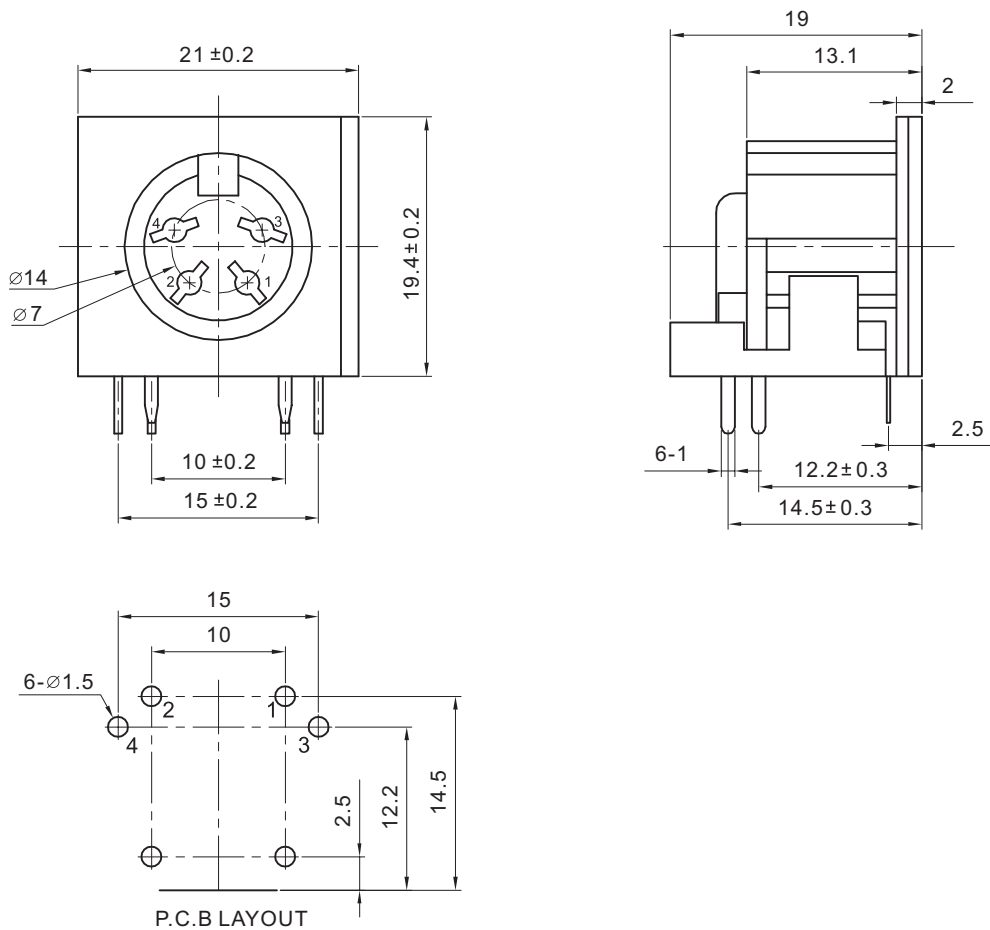
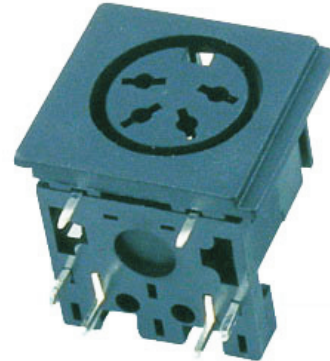
Dielectric Withstanding:500V AC(50Hz)/1min

Insulation Resistance: $\geq 100M\Omega$

Contact Resistance: $\leq 30m\Omega$

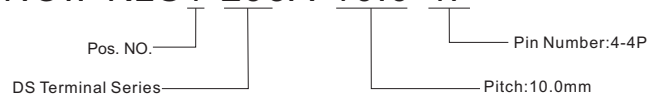
Insertion and Extraction Force:10-50N

Life: $\geq 5000$



## ORDER INFORMATION

Product NO.: KLS1-293A-10.0-4P



## Mini Din Connectors\* Din Connectors

KLS1-293A-10.0-5P DS Terminal Series

**Material:**

Base:PBT UL 94V-0

Contact:H62 Brass

**Environmental:**

Operating Temperature:-25 C ~ + 70 C

**Electrical:**

Rated Load:2A 100V AC

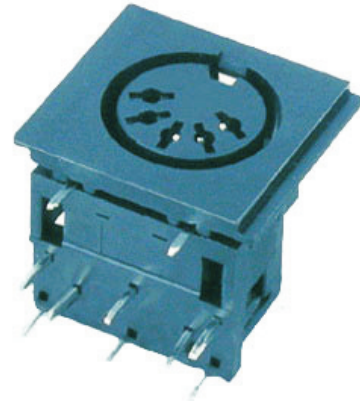
Dielectric Withstanding:500V AC(50Hz)/1min

Insulation Resistance: $\geq 100M\Omega$

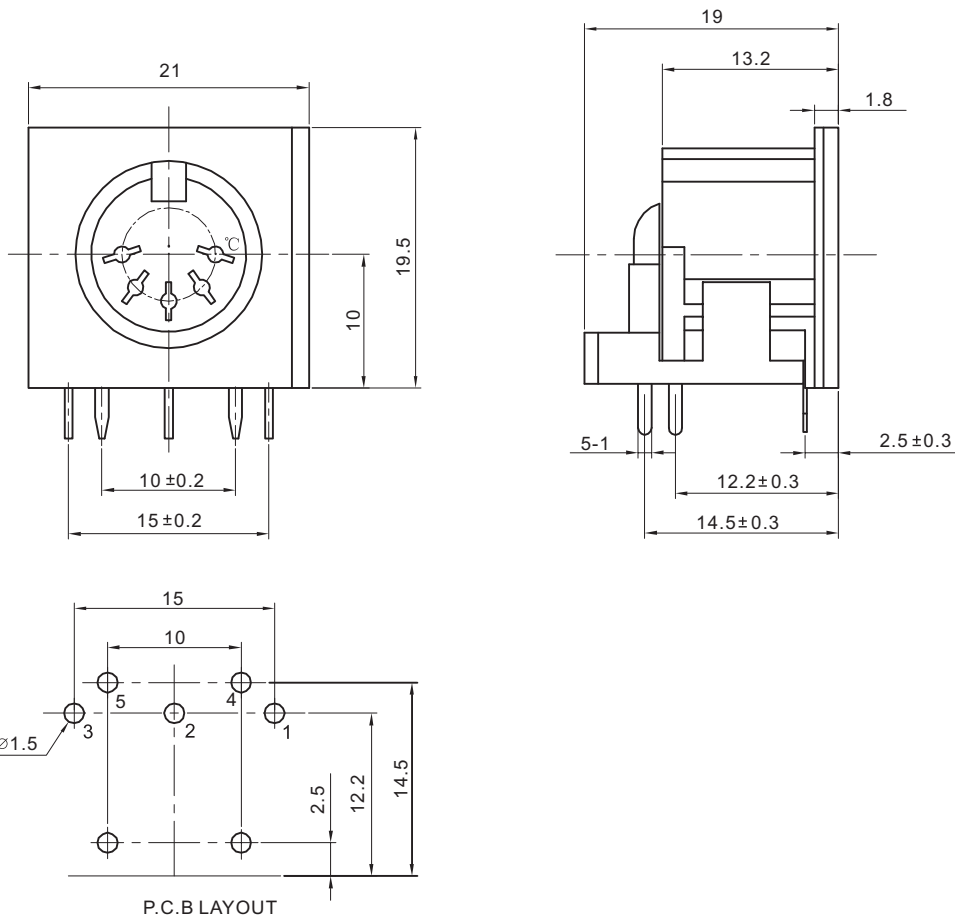
Contact Resistance: $\leq 30m\Omega$

Insertion and Extraction Force:10-50N

Life: $\geq 5000$



I



## ORDER INFORMATION

Product NO.: KLS1-293A-10.0-5P



## Mini Din Connectors\* Din Connectors

### KLS1-293A-10.0-6P DS Terminal Series

**Material:**

Base:PBT UL 94V-0

Contact:H62 Brass

**Environmental:**

Operating Temperature:-25 C ~ + 70 C

**Electrical:**

Rated Load:2A 100V AC

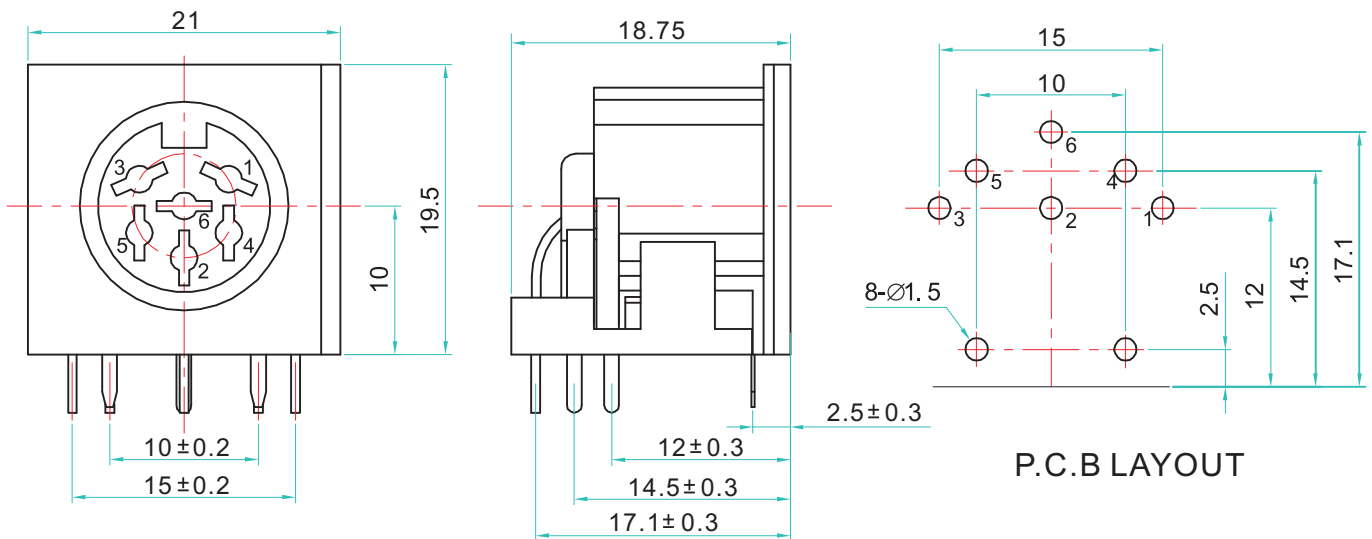
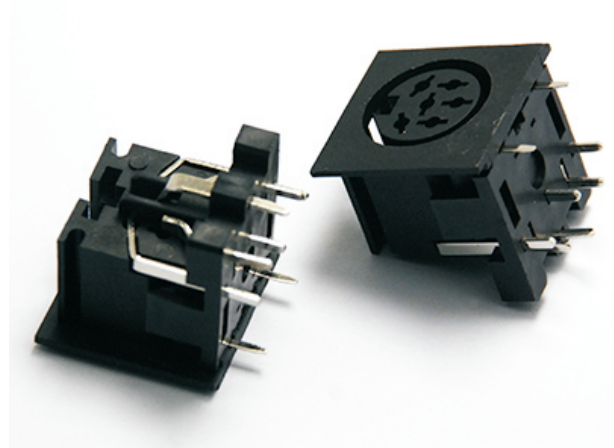
Dielectric Withstanding:500V AC(50Hz)/1min

Insulation Resistance: $\geq 100M\Omega$

Contact Resistance: $\leq 30m\Omega$

Insertion and Extraction Force:10-50N

Life: $\geq 5000$



## ORDER INFORMATION

Product NO.: KLS1-293A-10.0-6P



## Mini Din Connectors\* Din Connectors

### KLS1-293A-10.0-7P DS Terminal Series

**Material:**

Base:PBT UL 94V-0

Contact:H62 Brass

**Environmental:**

Operating Temperature:-25 C ~ + 70 C

**Electrical:**

Rated Load:2A 100V AC

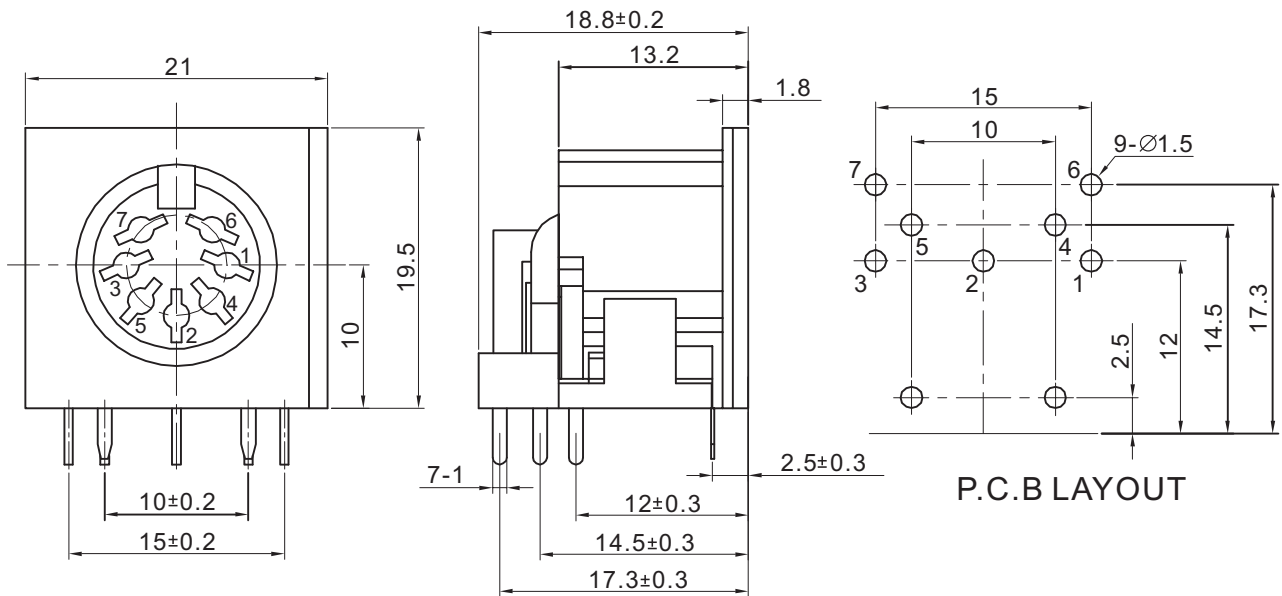
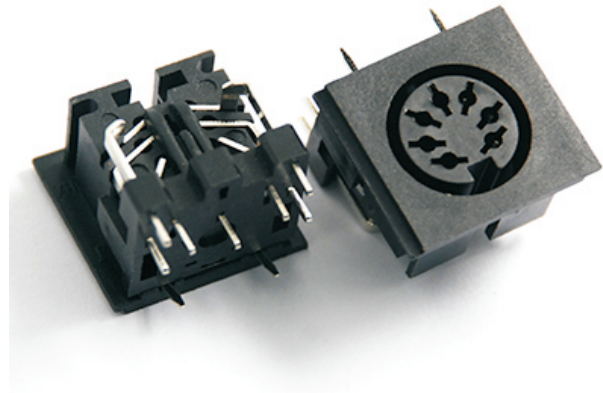
Dielectric Withstanding:500V AC(50Hz)/1min

Insulation Resistance: $\geq 100M\Omega$

Contact Resistance: $\leq 30m\Omega$

Insertion and Extraction Force:10-50N

Life: $\geq 5000$



## ORDER INFORMATION

Product NO.: KLS1-293A-10.0-7P



## Mini Din Connectors\* Din Connectors

### KLS1-293A-10.0-8P DS Terminal Series

**Material:**

Base:PBT UL 94V-0

Contact:H62 Brass

**Environmental:**

Operating Temperature:-25 C ~ + 70 C

**Electrical:**

Rated Load:2A 100V AC

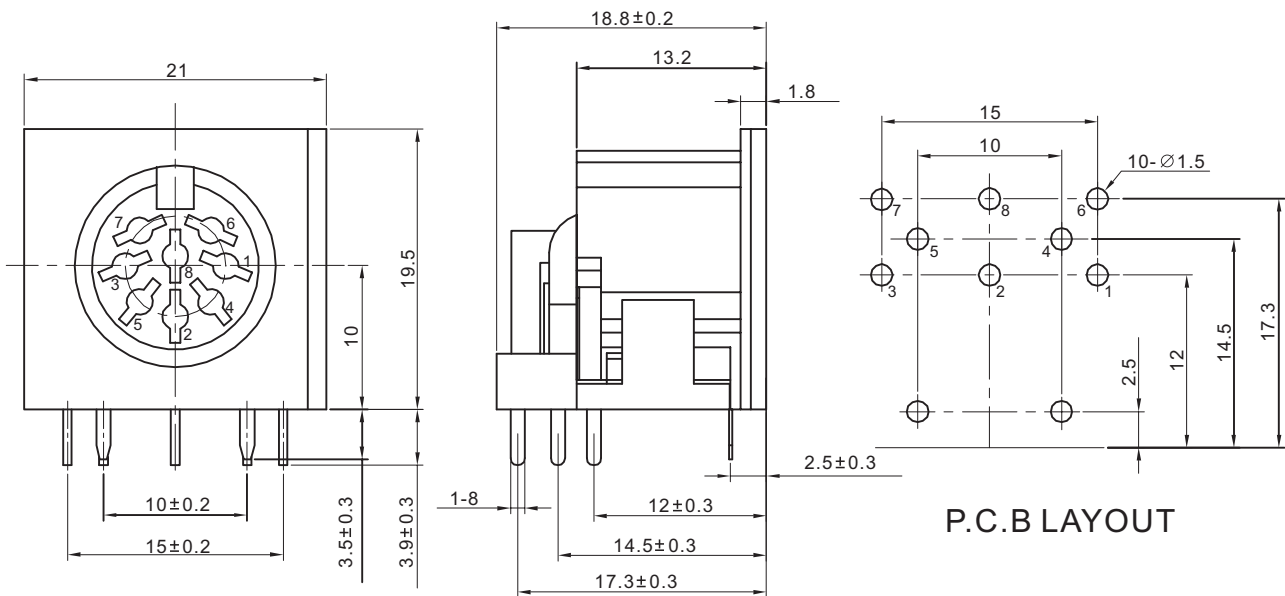
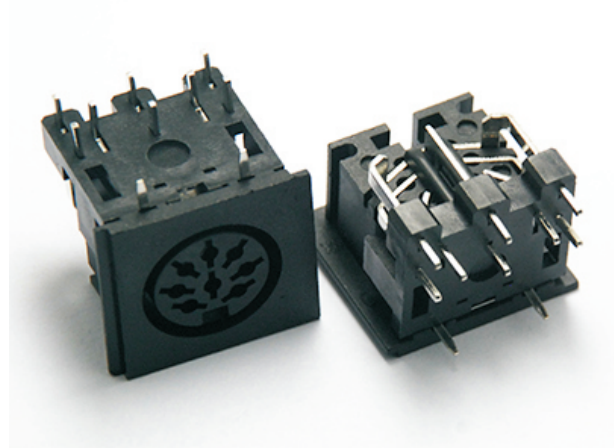
Dielectric Withstanding:500V AC(50Hz)/1min

Insulation Resistance: $\geq 100M\Omega$

Contact Resistance: $\leq 30m\Omega$

Insertion and Extraction Force:10-50N

Life: $\geq 5000$



## ORDER INFORMATION

Product NO.: KLS1-293A-10.0-8P



## Mini Din Connectors\* Din Connectors

### KLS1-293L-10.0-5P DS Terminal Series

**Material:**

Base:PBT UL 94V-0

Contact:H62 Brass

**Environmental:**

Operating Temperature:-25 C ~ + 70 C

**Electrical:**

Rated Load:2A 100V AC

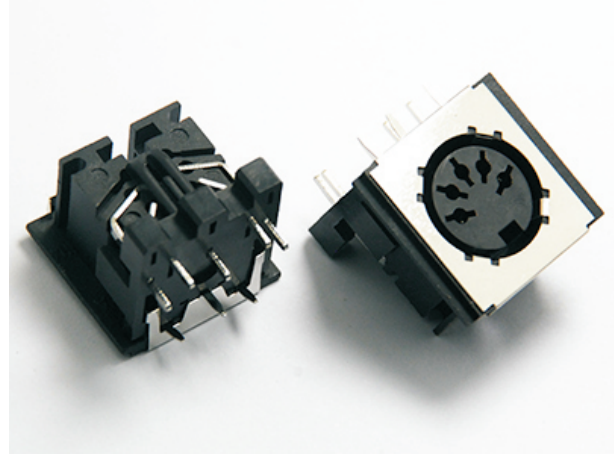
Dielectric Withstanding:500V AC(50Hz)/1min

Insulation Resistance: $\geq 100M\Omega$

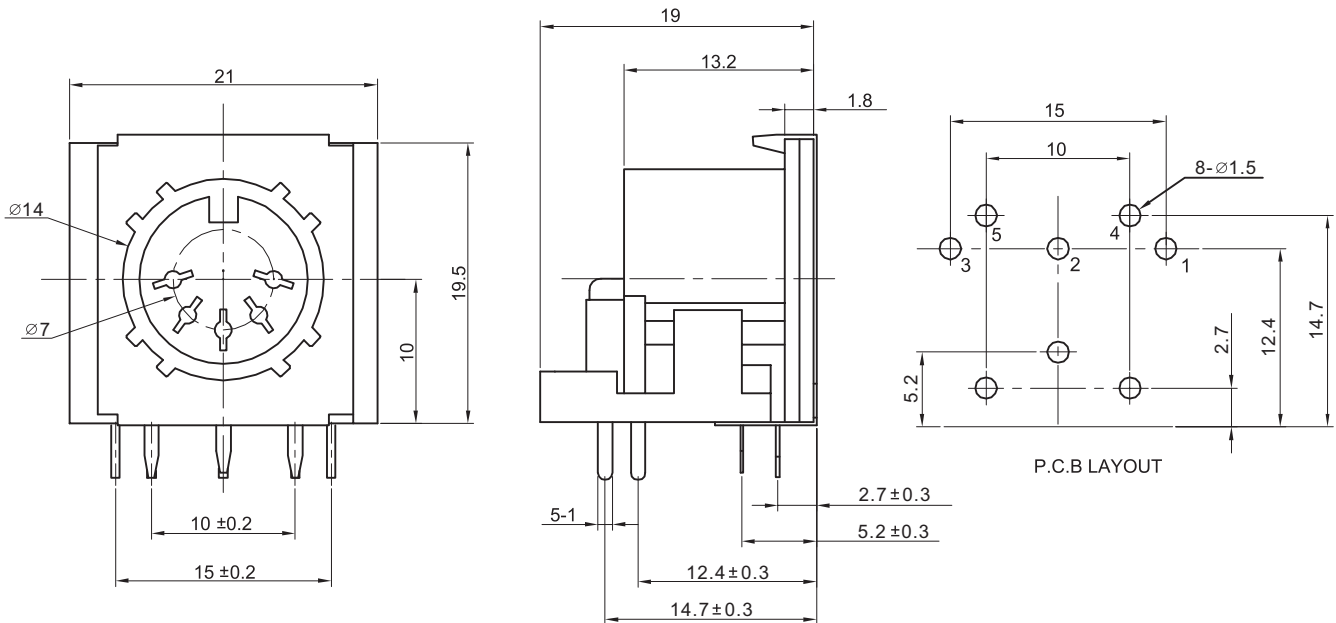
Contact Resistance: $\leq 30m\Omega$

Insertion and Extraction Force:10-50N

Life: $\geq 5000$



I



## ORDER INFORMATION

Product NO.: KLS1-293L-10.0-5P

