

## Mini Din Connectors\* Din Connectors

KLS1-285B-13 DS Terminal Series

**Material:**

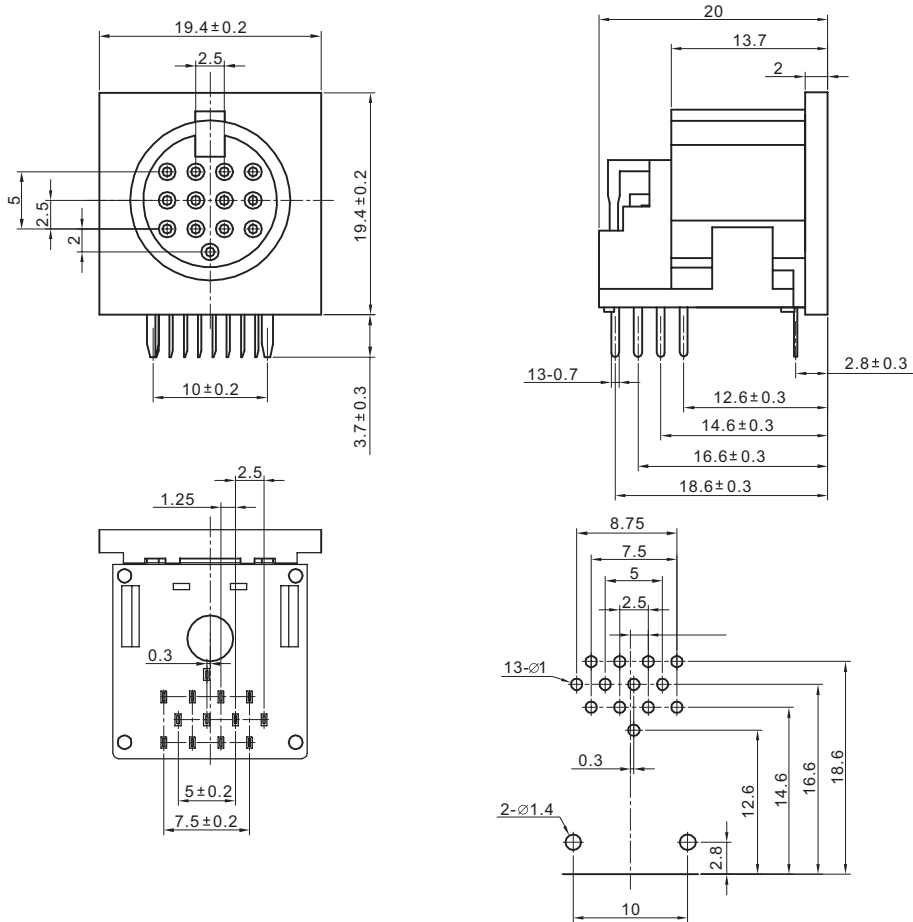
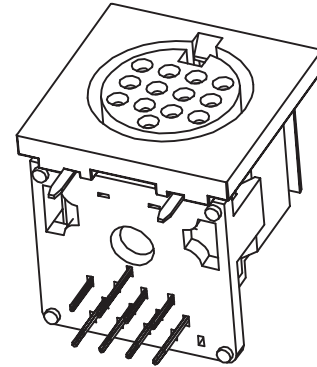
Base:PBT  
Contact:H62 Brass

**Environmental:**

Operating Temperature:-25 C ~ + 70 C

**Electrical:**

Rated Load:2A 100V AC  
Dielectric Withstanding:500V AC(50Hz)/1min  
Insulation Resistance: $\geq 100M\Omega$   
Contact Resistance: $\leq 30m\Omega$   
Insertion and Extraction Force:10-50N  
Life: $\geq 5000$



P.C.B LAYOUT

## ORDER INFORMATION

Product NO.: KLS1-285B-13



All specification & dimensions are subject to change, please call your nearest KLS sales representative for update information