

Mini Din Connectors* Din Connectors

KLS1-DS-2-02 DS Terminal Series

Material:

Base:PBT UL 94V-0

Contact:H62 Brass

Environmental:

Operating Temperature:-22 C ~ + 70 C

Electrical:

Rated Load:DC 30V 2A

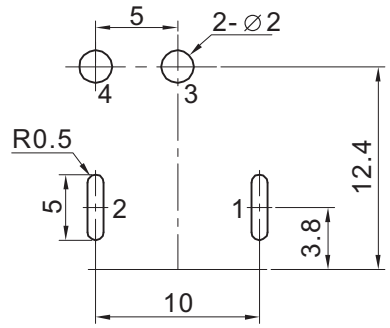
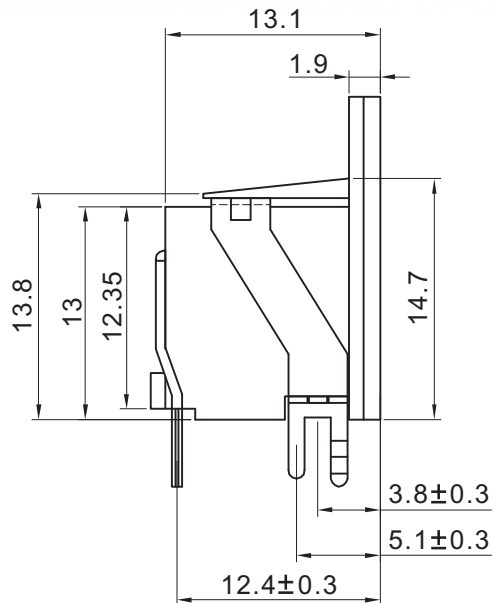
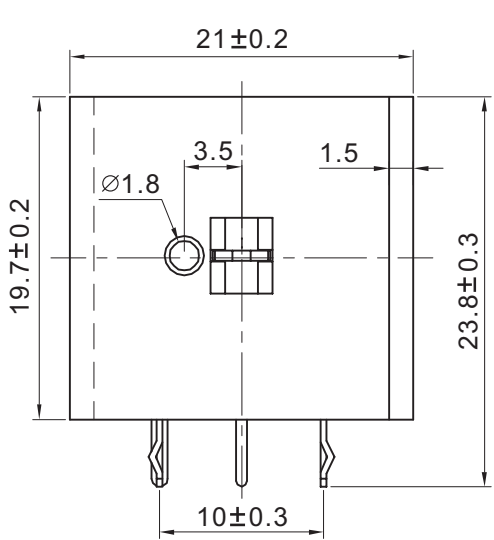
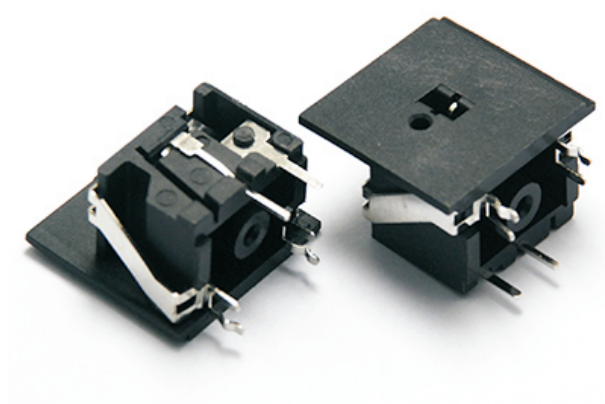
Dielectric Withstanding:AC250V(50Hz)/min

Insulation Resistance:≥100MΩ

CONTACT RESISTANCE:≤0.03Ω

Insertion and Extraction Force:5-35N

Life:5000



P.C.B. Layout

ORDER INFORMATION

Product NO.: KLS1-DS-2-02

