

Push Button Switches

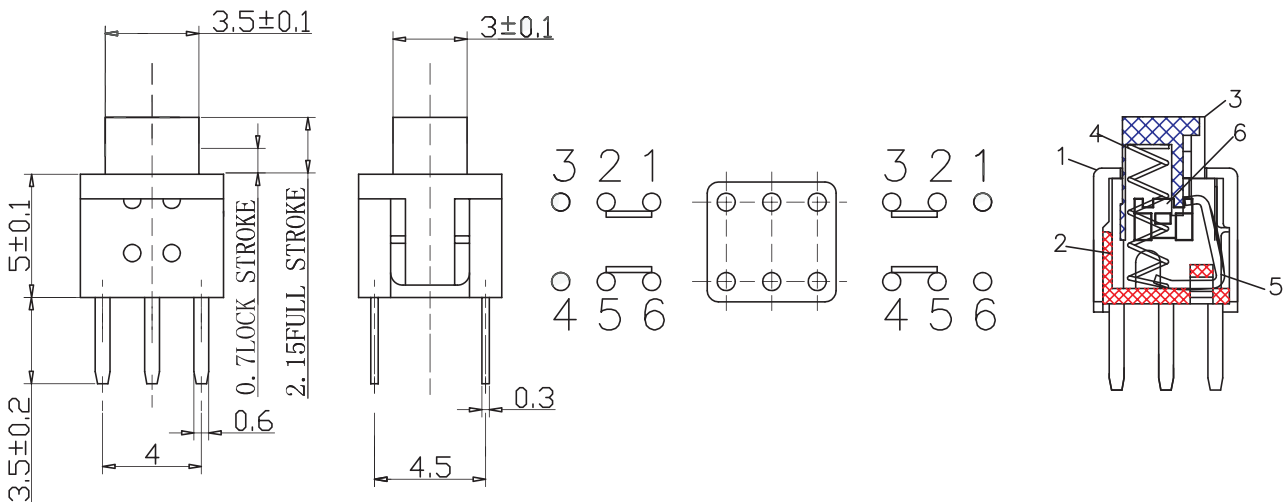
KLS7-P5.8x5.8-1-A Push Button Switches

Electrical:

1. Rated load: 36V 0.2A
2. Contact Resistance: $\leq 30m\Omega$
3. Insulation Resistance: $\geq 100M\Omega$
4. Withstand Voltage: AC250V(50Hz)/min
5. Actuating Force: $260\pm 30g$
6. Electrically Life: 5000 cycles Min.
7. Environment temperature: $-40^{\circ}C \sim +70^{\circ}C$

Materials:

1. Cover: nylon, gray
2. Base: nylon and brass
3. Axis: Poly potassium aldehyde, white
4. Spring: stainless steel wire, black
5. Hook: stainless steel needle, silver
6. retainer: 0.045mm composite silver phosphor bronze



5.8无锁: X=0.4±0.1 Y=0.4±0.1 Z=1.5±0.1

行程	0.0	x	y	Z
2~1	ON	OFF	OFF	
5~6				
3~2	OFF		ON	
4~5				

ORDER INFORMATION

Product NO.: KLS7-P5.8x5.8-1-A

