

## Tactile Switches

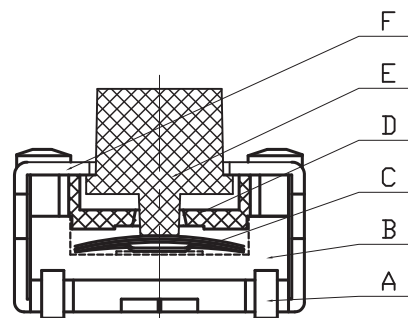
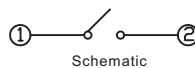
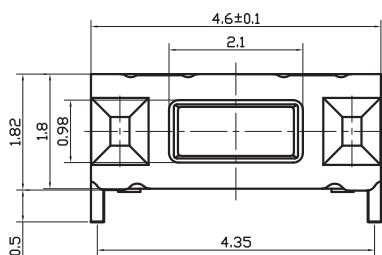
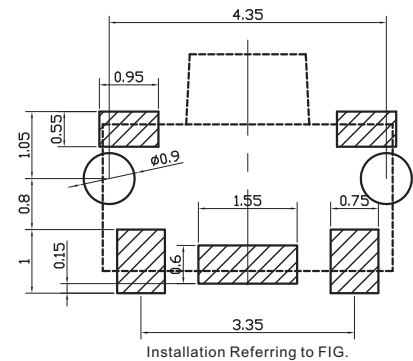
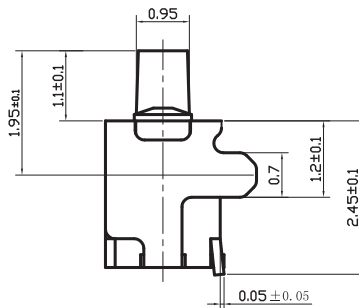
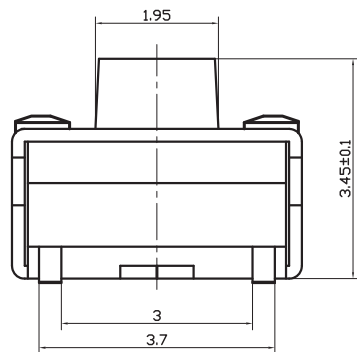
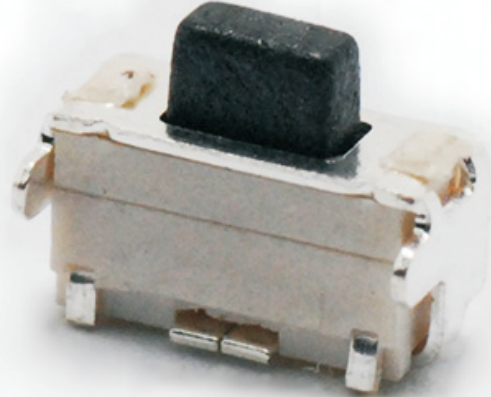
### KLS 7-TS2404 2x4 Tact Switch Series

#### ELECTRICAL

1. Rating: 50mA 12V DC
2. Contact Resistance : 100mΩ Max
3. Insulation Resistance: 100MΩ Min
4. Dielectric Strength : 250V AC for 1min
5. Electrically Life: 50000cycles
6. Environment temperature: -30°C~+80°C
7. Operating Force: 160/250(±30gf)
8. Seal temperature: 260°C~ 280°C

#### Materials:

- A. cards: phosphor bronze 0.15, silver
- B. Base: LCP, white
- C. Reed: Imported steel impervious cover silver
- D. Plastic cover: LCP, white
- E. button: LCP, black
- F. Cover: phosphor bronze 0.2, silvered



## ORDER INFORMATION

Product NO.: L-KLS7-TS2404-3.5-180-B

Part Number

2x4 Tact Switch Series

Packing: B-Bulk

Operating Force : 90gf, 180gf, 250gf

Height: 3.5mm