

Tactile Switches

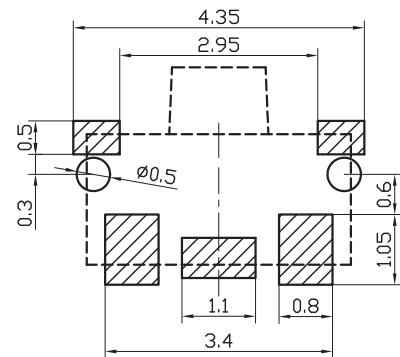
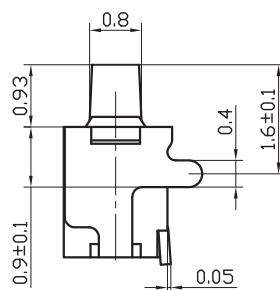
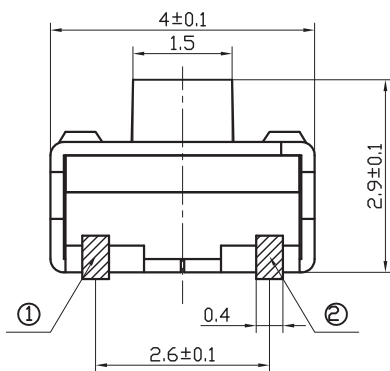
KLS7-TS2301 2x3 Tact Switch Series

ELECTRICAL

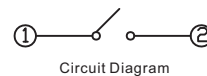
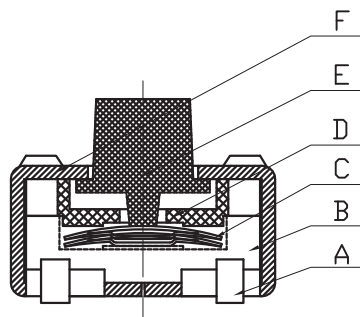
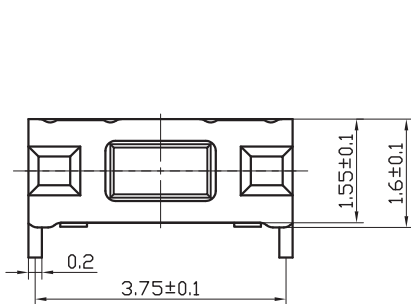
1. Rating: 50mA 12V DC
2. Contact Resistance : 100mΩ Max
3. Insulation Resistance: 100MΩ Min
4. Dielectric Strength : 250V AC for 1min
5. Electrically Life:100000cycles
6. Environment temperature:-30°C~+80°C
7. Operating Force: 160/250(±30gf)
8. Seal temperature:260°C~ 280°C

Materials:

- A. cards: phosphor bronze 0.15, silver
- B. Base: E1301
- C. Reed: Imported steel impervious cover silver
- D. Plastic cover:E1301
- E. button: LCP, black
- F. Cover: phosphor bronze 0.2, silvered



Installation Referring to FIG.



ORDER INFORMATION

Product NO.:L-KLS7-TS2301-2.9-180-B

Part Number

2x4 Tact Switch Series

Packing:B-Bulk

Operating Force :90gf, 180gf, 250gf

Height:2.9mm