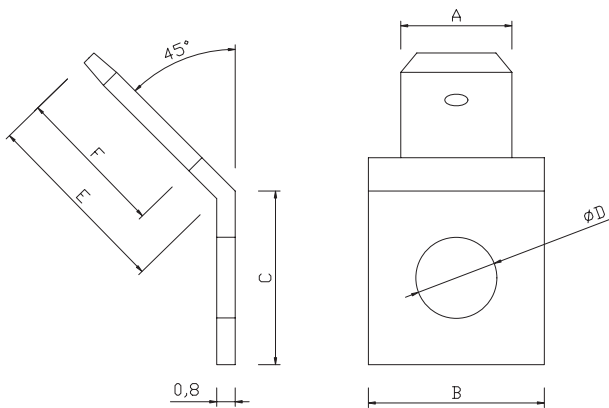


Terminals Series

KLS8-01150 Terminal Series

Terminal Material: Brass



Model No.	A	B	C	∅D	E	F	Packaging
PC-187A	4.8	7.6	7.5	3.5	8.2	6.5	1000
				4.3			
				5.2			
PC-250A	6.35	8	8	4.3	11	8.3	
				5.2			

ORDER INFORMATION

KLS8-01150 -PC-187A-3.5

