

Tactile Switches

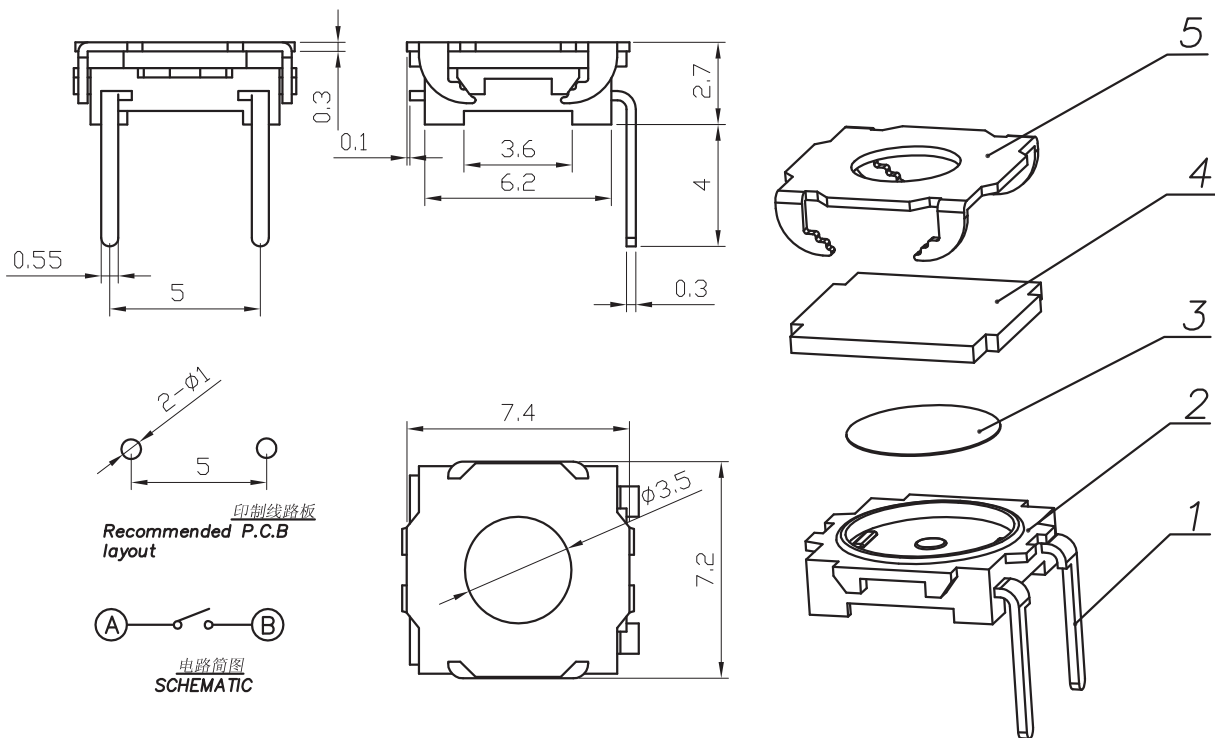
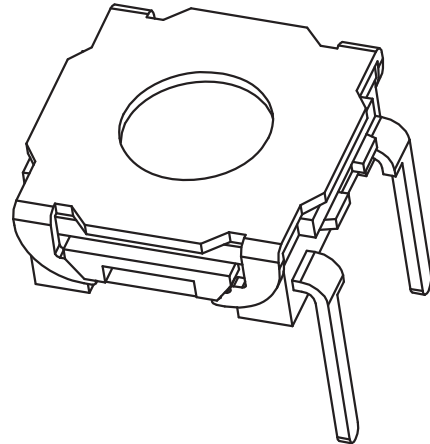
KLS7-TS7706 7x7 mm Touch waterproof switch

Electrical:

1. Rating: 50mA 12V DC
2. Travel: 0.35±0.1mm
3. Contact Resistance :50mΩ Max
4. Electrically Life: 100000 cycles Min.
5. Operating Force: 150±50gf
6. Environment temperature: -30°C~+80°C

Materials:

1. Terminal: Brass, silver-plated
2. Foundation: PPA, Blue
3. Shrapnel: Silver - Copper
4. Waterproof Layer: Silica Gel
5. Cover: brass, chrome matt



ORDER INFORMATION

Product NO.: KLS7-TS7706-2.7-150-B

