

## Tactile Switches

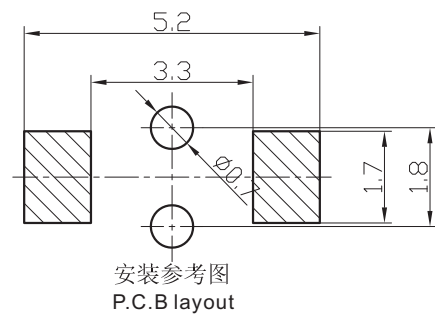
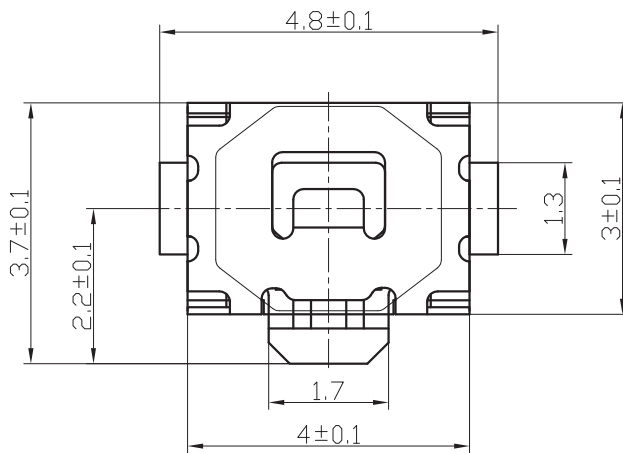
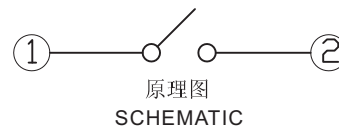
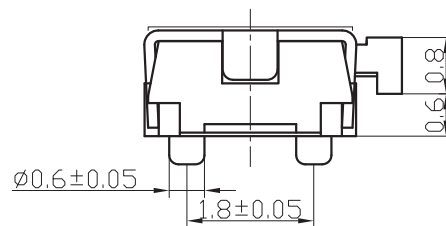
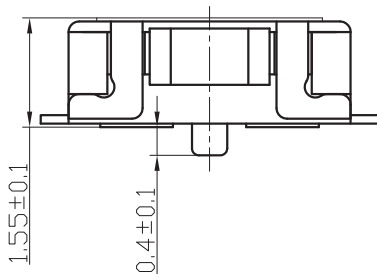
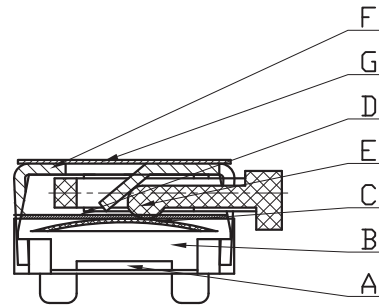
KLS7-TS3748 Two small turtles, According to the side, With Post, Tact Switch

### Electrical:

1. Rating: 50mA 12V DC
2. Contact Resistance: 100mΩ Max.
3. Insulation Resistance: 100MΩ Min, 100V DC
4. Dielectric voltage proof: 250V AC for 1min
5. Electrically Life: 100000 cycles Min.
6. Operating Force: 250±50gf
7. Environment temperature: -30°C~+70°C

### Materials:

- A. Cards: Phosphor 0.13Y, Silver
- B. Pedestal: LCP, Black
- C. Shrapnel: 70g
- D. Dust Film: 0.04
- E. Push button: LCP, Black
- F. Cover: Stainless steel 0.15
- G. Dust Film: 0.05



## ORDER INFORMATION

Product NO.: KLS7-TS3748-1.55-180-B

