

Tactile Switches

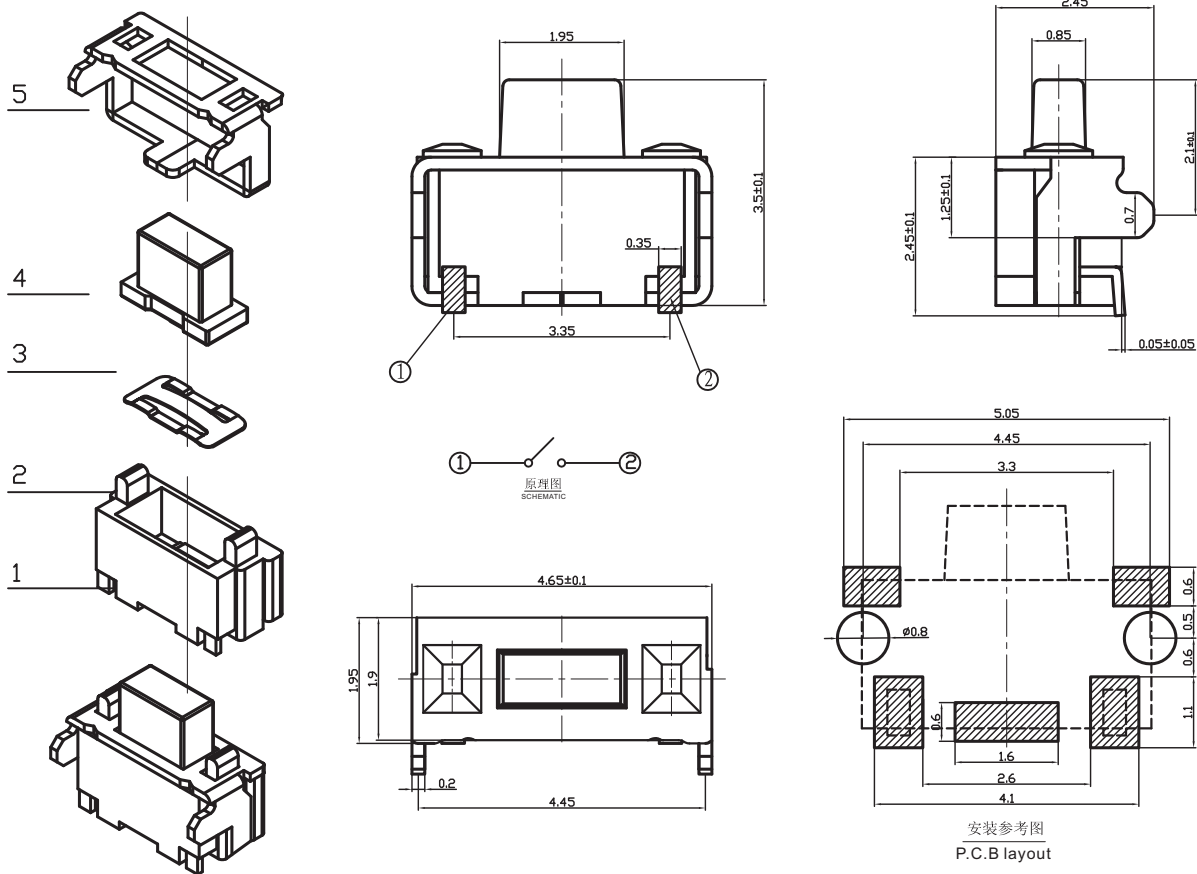
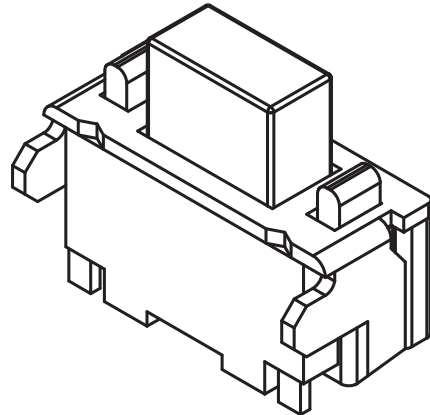
KLS7-TS2401 2x4mm All Inclusive without column Tact

Electrical:

1. Rating: 50mA 12V DC
2. Contact Resistance: 100mΩ Max.
3. Insulation Resistance: 100MΩ Min, 100V DC
4. Dielectric voltage proof: 250V AC for 1min
5. Electrically Life: 100000 cycles Min.
6. Operating Force: 160±50gf
7. Environment temperature: -30°C~+80°C

Materials:

1. Cards: Phosphor, Silver plated
2. Pedestal: LCP, White
3. Shrapnel: Stainless steel
4. Push button: LCP, Black
5. Cover: H62, Silver plated



ORDER INFORMATION

Product NO.: KLS7-TS2401-3.5-160-B

Part Number

2x4mm Tact Switch

Packing: B-Bulk

Operating Force: 160(±50gf)

Height: 3.5mm